

SIEMENS



# studioLine Fascinating. Innovative.

[siemens-home.bsh-group.com/za](https://siemens-home.bsh-group.com/za)

The future moving in.

BSH Group is a Trademark Licensee of Siemens AG.



Siemens Home Appliances

February 2022





## The world's most exclusive built-in range, brought to you by Siemens Home Appliances.

One simple theme defines every part of the Siemens studioLine series – only the best. Siemens studioLine is for those who appreciate innovation enhanced by a clean and timeless design.

### **Innovation**

Delicious dishes are delectably simple. The perfect dish created effortlessly with the extraordinary features built into the studioLine series. Every meal becomes an opportunity to create something extraordinary.

### **Expertise**

Siemens studioLine is available at the certified retailers only as it requires exclusivity and deep expertise. Our partners undergo extensive product training and have an innate understanding of kitchen planning.

### **Perfection**

Siemens studioLine defines seamless design that will compliment any kitchen. Every appliance in the built-in range can be combined effortlessly with one another to create a gorgeous kitchen ecosystem in line with the metropolitan living. studioLine ovens, compact ovens, coffee machines and warming drawers match up perfectly with stylish and co-ordinated front panels. studioLine hoods all have the same black, stainless steel front panel to ensure a seamless look. Whether each product is lined up horizontally or vertically, the results are always aesthetic and stylish.



studioLine

menu

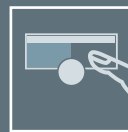


start/stop

# studioLine Ovens

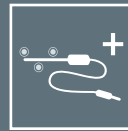
Designed for those who value the ultimate in design, innovation and intelligent features.

The studioLine claim is perfectly simple: the best of everything. Innovative appliance technology, high-quality materials and excellent artifice. You can see and feel it – and above all, combine it how you wish. The overall impression will always be clean and coherent thanks to the perfectly coordinated design. This offers you full scope to exclusively tailor your kitchen to your personal style. And your kitchen will even adapt to your lifestyle. Thanks to varioSpeed technology, you can save your time up to 50%. For you this means less time spent cooking – more time for the exceptional things in life.



## Intuitive operation: TFT Touchdisplay Plus

The user-friendly menu structure and touch navigation of TFT Touchdisplay Plus will make operating your oven simple and satisfying. Intuitive guidance through the extensive menu helps you get the most from your oven and tailor it to your tastes.



## Excellent results every time: roastingSensor Plus and bakingSensor

Dishes will be cooked to perfection thanks to the new professional roastingSensor Plus and bakingSensor features. roastingSensor Plus features three different measuring points, accurately detecting the core temperature of the food and determining exactly when it is done to perfection. The bakingSensor measures the humidity level inside the oven to automatically identify when your dish is perfectly baked.



## Faster cooking, greater results: varioSpeed

100% flavour in only 50% of the cooking time. The varioSpeed integrated microwave helps with defrosting and heating food, but also shortens the cooking time of all dishes in the oven.



## No more preheating: coolStart

Frozen food can also be cooked quickly thanks to coolStart, and with no need to preheat. So as well as outstanding cooking results, you can save time and energy.



## The oven that cleans itself: activeClean®

Thanks to activeClean® technology, your oven will clean itself at the touch of a button. During this process, known as pyrolytic self-clean, the oven heats up to a very high temperature so that particles of food remaining inside just turn to ash and can be simply wiped away afterwards. This isn't only the most efficient way of cleaning the entire interior of your oven – including the new pyrolysis-proof racks and rails – but also the most convenient.



## fullSteam

With the Siemens fullSteam technology you can cook your food gently and naturally. Steaming keeps flavours, vitamins and minerals, and foods retain their natural appearance. The fullSteam makes it even easy to warm up pre-prepared food – it quickly heats up e.g. vegetables, while leaving them crisp and flavoursome.





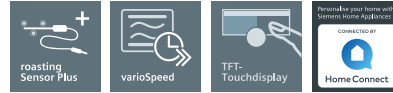
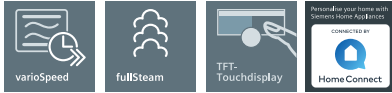
Model	HN878G4B6	HS858GXB6
Product description	<b>iQ700</b> <b>60 cm combi microwave oven with added steam</b>	<b>iQ700</b> <b>60 cm combi-steam oven</b>
Heating methods	4D hotAir, Hot air Eco, Top/bottom heating, Top/bottom heating Eco, Hot air grilling, Full width grill, Half width grill, Pizza setting, coolStart, Bottom heat, Intensive heat, Slow cook, Plate warming, Drying, Keep warm Additional functions with steam: Regenerating, Dough Proving varioSpeed: heating methods combined with microwave settings Microwave power settings: (90W, 180W, 360W, 600W, 800W) with inverter	4D hotAir, Hot air Eco, Top/bottom heating, Top/bottom heating Eco, Hot air grilling, Full width grill, Half width grill, Pizza setting, coolStart, Bottom heat, Slow cook, Plate warming, Keep warm Additional heating methods with steam: Steam 100%, Regeneration, fermentation, Defrost
Comfort and safety	Cavity net volume: 67 Litres Temperature range 30°C - 300°C TFT TouchDisplay Temperature proposal Actual temperature display Sabbath setting addedSteam Descaling programme Automatic boiling point detection Drying function Oven door with softMove Dish categories Multipoint temperature probe Baking sensor Electronic clock Rapid heating-up LED-Elongated light, Independent oven interior light button Water tank, 1 litre Location of the steam generator is outside of the cavity Integral cooling fan Stainless-steel fan Info button Maximum window temperature 30° C Door lock electrical Child lock Residual heat indicator *HomeConnect ready on Wlan	Cavity net volume: 71 Litres Temperature range 30°C - 250°C TFT TouchDisplay Temperature proposal Actual temperature display Sabbath setting addedSteam Descaling programme Automatic boiling point detection Drying function Oven door with softMove Dish categories Multipoint temperature probe Electronic clock Rapid heating-up LED light, Independent oven interior light button Water tank, 1 litre Location of the steam generator is outside of the cavity Integral cooling fan Stainless-steel fan Info button Bar handle Maximum window temperature 40° C Child lock Residual heat indicator *HomeConnect ready on Wlan
Design	black Steel Design Rotary Control Cavity inner surface: Enamel anthracite Cavity with shelf support rails: 1 level telescopic shelf, pyrolitic proof	black Steel Design Rotary knob Cavity inner surface: Enamel anthracite Cavity with shelf support rails: 3 level telescopic rails
Cleaning	activeClean® Pyrolitic proof trayholder and baking tray Microwave top door	EcoClean Panels, back panel, ceiling, side liners Ecolyse program Full-glass top
Accessories	1 x enamel baking tray, 1 x combination grid, 1 x universal pan	1 x enamel baking tray, 1 x steam container, punched, size S, 1 x steam container, punched, size XL, 1 x steam container, unpunched, size S, 1 x grid, 1 x universal pan
Product specs	Appliance dimension (hxwx): 595 x 594 x 548 mm Niche dimension (hxwx): 585-595 x 560-568 x 550 mm Rating: 3600 W	Appliance dimension (hxwx): 595 x 594 x 548 mm Niche dimension (hxwx): 585-595 x 560-568 x 550 mm Rating: 3600 W
Price Incl. VAT*	<b>R 47 599.00</b>	<b>R 44 199.00</b>

\*Recommended Retail Price.  
Prices include VAT and are subject to change without prior notice. Guarantee terms and conditions attached.  
This price list supercedes all other price lists. No responsibility is accepted for printing errors. E&OE.



Model	HM876G2B6	HB876G8B6
Product description	iQ700 60 cm oven with microwave	iQ700 60 cm built-in oven
Heating methods	4D hotAir, Hot air Eco, Top/bottom heating, Top/bottom heating Eco, Hot air grilling, Full width grill, Half width grill, Pizza setting, coolStart, Bottom heat, Slow cook, Plate warming, Keep warm, varioSpeed: heating methods combined with microwave settings 5 Microwave power settings (90 W, 180 W, 360 W, 600 W, 800 W) with Inverter	4D hotAir, Hot air Eco, Top/bottom heating, Top/bottom heating eco, Hot air grilling, Full width grill, Half width grill, Pizza setting, coolStart, Bottom heat, Slow cooking, Plate warming, Keep Warm
Comfort and safety	Cavity net volume: 67 Litres Temperature range 30°C - 300°C TFT TouchDisplay Temperature proposal Actual temperature display Sabbath setting Oven door with softMove Dish categories Multipoint temperature probe Electronic clock Rapid heating-up LED light, Independent oven interior light button Integral cooling fan Stainless-steel fan Info button Maximum window temperature 30°C Child lock Residual heat indicator *HomeConnect ready on WLAN	Cavity net volume: 71 Litres Temperature range 30°C - 300°C TFT TouchDisplay Temperature proposal Actual temperature display Sabbath setting Oven door with softMove Dish categories Multipoint temperature probe Electronic clock Rapid heating-up Halogen interior lighting, Independent oven interior light button Stainless-steel fan Info button Maximum window temperature 30°C Child lock Residual heat indicator *HomeConnect ready on WLAN
Design	black Steel Design Rotary Control Cavity inner surface: Enamel anthracite Cavity with shelf support rails: 1 level telescopic shelf, pyrolitic proof	black Steel Design Rotary Control Cavity inner surface: Enamel anthracite Cavity with shelf support rails: 3 level telescopic shelf, pyrolitic proof
Cleaning	activeClean® Pyrolitic proof trayholder and baking tray Microwave top door	activeClean® Pyrolitic proof trayholder and baking tray Full glass inner door
Accessories	1 x enamel baking tray, 1 x combination grid, 1 x universal pan	1 x enamel baking tray, 1 x combination grid, 1 x universal pan
Product specs	Appliance dimension (hxwx): 595 x 594 x 548 mm Niche dimension (hxwx): 585-595 x 560-568 x 550 mm Rating: 3600 W	Appliance dimension (hxwx): 595 x 594 x 548 mm Niche dimension (hxwx): 585 - 595 x 560 - 568 x 550 mm Rating: 3600 W
Price Incl. VAT*	R 39 999.00	R 30 299.00

\*The availability of the Home Connect functionality depends on the availability of the Home Connect Services in your country. Home Connect Services are not available in every country – for further information please check: [www.home-connect.com](http://www.home-connect.com)



Model	CS856GPB7 (WHILE STOCKS LAST)	CM836GPB6
Product description	<b>iQ700</b> Compact steam oven	<b>iQ700</b> Compact oven with microwave
Heating methods	4D hotAir, Hot air Eco, Top/bottom heating, Eco, Hot air grilling, Full width grill, Half width grill, Pizza setting, coolStart, Bottom heat, Slow cooking, Plate warming, Keep warm varioSpeed: heating methods combined with microwave settings 5 Microwave power settings (90 W, 180 W, 360 W, 600 W, 1000 W) with Inverter	4D hotAir, Hot air Eco, Top/bottom heating, Hot air grilling, Full width grill, Half width grill, Pizza setting, coolStart, Bottom heat, Slow cooking, Plate warming, Keep warm varioSpeed: heating methods combined with microwave settings 5 Microwave power settings (90 W, 180 W, 360 W, 600 W, 1000 W) with Inverter
Comfort and safety	Cavity net volume: 45 Litres Temperature range 30°C - 300°C TFT TouchDisplay Temperature proposal Actual temperature display Sabbath setting Oven door with softMove Dish categories Electronic clock Rapid heating-up LED Light, Independent oven interior light button Stainless-steel fan Info button Maximum window temperature 30° C Child lock Residual heat indicator *HomeConnect ready on WLAN	Cavity net volume: 45 Litres Temperature range 30°C - 300°C TFT TouchDisplay Temperature proposal Actual temperature display Sabbath setting Oven door with softMove Dish categories Electronic clock Rapid heating-up LED Light, Independent oven interior light button Stainless-steel fan Info button Maximum window temperature 30° C Child lock Residual heat indicator *HomeConnect ready on WLAN
Design	black Steel Design Rotary Control Cavity inner surface: Enamel anthracite Cavity with shelf support rails: 1 level telescopic shelf, pyrolytic proof	black Steel Design Rotary Control Cavity inner surface: Enamel anthracite 1 level telescopic rails
Cleaning	ecoClean Plus coating: ceiling, back panel, side liners ecolyse program Full glass inner door	Ecolyse features: back panel
Accessories	1 x grid, 1 x steam container punched XL, 1 x steam container punched S, 1 x steam container unpunched S, 1 x Universal pan	1 x Universal pan, 1 x combination grid
Product specs	Appliance dimension (hwxwd): 455 x 594 x 548 mm Niche dimension (hwxwd): 450-455 x 560-568 x 550 mm Rating: 3600 W	Appliance dimension (hwxwd): 455 x 594 x 548 mm Niche dimension (hwxwd): 450-455 x 560-568 x 550 mm Rating: 3600 W
Price Incl. VAT*	<b>R 40 499.00</b>	<b>R 32 599.00</b>

\*Recommended Retail Price.  
Prices include VAT and are subject to change without prior notice. Guarantee terms and conditions attached.  
This price list supercedes all other price lists. No responsibility is accepted for printing errors. E&OE.





<b>Model</b>	<b>BI830CNB1</b>
<b>Product description</b>	<b>iQ700</b> <b>Warming drawer</b>
<b>Heating methods</b>	5 Functions: dough proving thawing of delicate foods keeping drinks and food warm pre-warming of crockery gentle cooking
<b>Comfort and safety</b>	The handleless warming drawer is easy to open thanks to the push/pull function. The warming drawer can be installed separately or in combination with a traditional oven or 45 cm compact appliance. The heated sheet admits a regulation in four temperature levels from 30°-80°C glass surface temperature Heating plate made of toughened glass Temperature control in 4 levels: ca. 40 °C - 80 °C (glass surface temperature) Loading up to 25 kg Max. loading espresso cups: 64 PC or Max. loading plates: 12 PC Cool door
<b>Design</b>	push&pull opening without handle
<b>Product specs</b>	Appliance dimension (hxwx): 140 x 595 x 548 mm Niche dimension (hxwx): 140 x 560-568 x 550 mm
<b>Price Incl. VAT*</b>	R 15 799.00

\*The availability of the Home Connect functionality depends on the availability of the Home Connect Services in your country.  
Home Connect Services are not available in every country – for further information please check: [www.home-connect.com](http://www.home-connect.com)

# studioLine Fully Automated Coffee Machine

What takes a barista years to learn, you can do at the touch of a button.

Freshly brewed, aromatic coffee, full-flavour espresso, latte macchiato topped with bubbly frothed milk – whatever form it may take, the world of Siemens coffee has something for every taste. Siemens fully automatic coffee machines get the best out of each individual bean, whether still whole or already ground. After all, coffee isn't just a drink – it's a pleasure.



## Perfect brewing: sensoFlow System

Exclusive to Siemens, the sensoFlow System maintains ideal, constant brewing temperatures for your espresso – to release the full flavour without burning.

Different coffees require the espresso shot to be heated at a different temperature in order to achieve the perfect result. sensoFlow does this automatically, providing you with a delicious beverage time and time again.



## Fine grinding without the noise: silentCeram Drive

Get more out of every bean with the silentCeram Drive premium grinder. Thanks to quality, non-wearing ceramic components this extremely quiet and durable feature grinds finely, ensuring beautiful coffee aroma's.



## coffeeSensor System

The intelligent grinder adapts to each bean variety and always grinds the perfect quantity.





<b>Model</b>	<b>CT836LEB6</b>
<b>Product description</b>	<b>iQ700 Built-In Fully Automatic Coffee Machine, with Home Connect, blackSteel Design</b>
<b>Comfort and safety</b>	<p><b>Flavour</b>          SensoFlow System: The innovative heating system guarantees a constant brewing temperature          AromaPro Concept: Ideal contact pressure for optimal aroma extraction          One-touch preparation: Ristretto, Espresso, Espresso Macchiato, Coffee, Cappuccino, Latte Macchiato, Caffè Latte at the touch of a button          AromaDouble Shot: Extra-strong coffee with less bitterness thanks to two grinding and brewing processes          Beverage temperature adjustable individually: coffee 3 levels, hot water 4 levels</p> <p><b>Convenience</b>          myCoffee: Save 8 beverages with individual names and adjustable mixing ratio of milk and espresso          IndividualCup Volume: Cup sizes adjustable individually          Coffee outlet and milk frother height-adjustable: Up to 15 cm high          oneTouch DoubleCup: Prepare two cups simultaneously for all coffee and milk specialities          Removable Water tank (2.4 Litres volume)</p> <p><b>Performance</b>          silentCeram Drive: Quiet premium grinder made from non-wearing ceramic          CoffeeSensor Pro: The grinding unit automatically adjusts to bean variety          One-touch coffee milk specialities with especially fine-pored milk froth thanks to an innovative milk frother          In addition to beverages also available separately: milk foam, warm milk, hot water          Reduced heat-up time: Fastest first cup          Water pump with 19 bar pressure          Separate chute for ground coffee</p> <p><b>Cleaning</b>          Removable brewing unit: Easy and hygienic cleaning under running water          AutoMilk Clean: Fully-automatic steam cleaning of the milk system after every beverage          Milk frother removable and dishwasher-proof          SinglePortion Cleaning: Complete emptying of all pipes after each brewing process          Automatic rinsing program when switching off and on          Drip tray and coffee grounds container removable and dishwasher-proof          Calc'nClean: Automatic cleaning and descaling programme</p> <p><b>Miscellaneous</b>          Bean container with aroma protection lid (500 g volume)          Coffee outlet and keys are illuminated          Grinding fineness adjustable (multi-level)          Display language selectable          Child safety lock: Unintended brewing process not possible</p>
<b>Accessories</b>	1 x water filter cartridge, 1 x scoop, 1 x milk container (insulated), 1 x connection hose for milk frother, 1 x milk pipe
<b>Product specs</b>	Appliance dimension (hxwx): 455 x 594 x 385 mm Niche dimension (hxwx): 449 x 558 x 356 mm
<b>Price Incl. VAT*</b>	<b>R 42 399.00</b>

\*Recommended Retail Price.

Prices include VAT and are subject to change without prior notice. Guarantee terms and conditions attached.

This price list supercedes all other price lists. No responsibility is accepted for printing errors. E&OE.

\*The availability of the Home Connect functionality depends on the availability of the Home Connect Services in your country. Home Connect Services are not available in every country – for further information please check: [www.home-connect.com](http://www.home-connect.com)



# studioLine Hobs

Experience the freedom of cooking with flexInduction.

Our flexInduction hobs are essential for those who want to explore diverse cooking methods and allow for their creativity to run free. You can cook multiple dishes simultaneously and use cooking Sensor Plus to manage temperature with absolute precision. Together with fryingSensor Plus, these features use intelligent technology to ensure absolute control over temperature, quality and taste.



## One hob, unlimited options: freeInduction

With innovative full-surface induction technology you're now free to position your pans wherever you want on the hob. Exclusively available from Siemens studioLine.



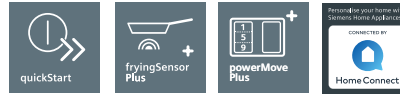
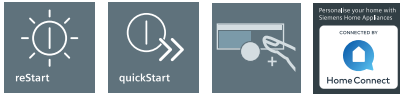
## One flexible cooking zone: flexInduction

flexInduction enables you to position a wide variety of pots and pans over a total area of 21x40 cm. The flexible induction zone will immediately recognise the number, size and shape of the pans and automatically adjust the cooking zone.



## Intuitive operation: TFT Touchdisplay Plus

TFT Touchdisplay Plus makes it easy to keep an eye on more than one pot or pan. Operate all hob functions, without using any rotary dials.



Model	EX977KXX5E	EX677LYV5E
Product description	<b>iQ700</b> 90 cm induction ceramic hob	<b>iQ700</b> 60 cm induction ceramic hob
Comfort and safety	FullTouch TFT Display fryingSensor Plus with 5 temperature settings cookingSensor Plus 5 Induction cooking zones 3 Flex Zones flexMotion powerMove Plus Meal assistant reStart Function cookConnect system (with matching hood) Switch off timer for every cooking zone powerBoost function for all zones panBoost Timer Count-up timer Keep warm function for all cooking zones 17 power levels *Home Connect (only in countries where Home Connect service is available) cookConnect system with matching hood	Dual lightSlider touch control fryingSensor Plus with 5 temperature settings 4 induction cooking zones 2 FlexZones extended flexMotion flexInduction Plus powerMove Plus reStart Function powerBoost function for all zones panBoost quickStart Function Switch off timer for every cooking zone Timer Count-up timer Keep warm function for all cooking zones 17 power levels *Home Connect (only in countries where Home Connect service is available) cookConnect system with matching hood
Design	Metal trims on the side, black design	Metal trims on the side, black design
Accessories	HZ39050 Wireless temperature sensor for cooktop (included)	
Product specs	Appliance dimension (hwxwd): 51 x 912 x 520 mm Niche dimension (hwxwd): 51 x 880-880 x 490-500 mm Rating: 11100 W	Appliance dimension (hwxwd): 51 x 602 x 520 mm Niche dimension (hwxwd): 126 x 603 x 753 mm Rating: 7400 W
Price Incl. VAT*	<b>R 39 699.00</b>	<b>R 28 999.00</b>

Special accessories	HZ394301 Connection stripe	<b>R 1 299.00</b>
	HZ390522 Griddle plate	<b>R 2 699.00</b>
	HZ390512 Teppan Yaki	<b>R 3 769.00</b>
	HZ390250 Wireless temperature sensor	<b>R 1 699.00</b>
	HZ390012 Steam cookware	<b>R 1 329.00</b>
	HZ390011 Roasting Dish	<b>R 2 649.00</b>

\*Recommended Retail Price.  
 Prices include VAT and are subject to change without prior notice. Guarantee terms and conditions attached.  
 This price list supercedes all other price lists. No responsibility is accepted for printing errors. E&OE.





<b>Model</b>	<b>EX877LX67E</b>	
<b>Product description</b>	<b>iQ700 80 cm venting induction ceramic hob</b>	
<b>Comfort and safety</b>	<p><b>Induction Hob</b>            Dual lightSlider touch control            fryingSensor Plus with 5 temperature settings            cookingSensor Plus            2 flexInduction cooking zones            combiZone            Electronic display            powerMove Plus            powerBoost function for all zones            panBoost            quickStart Function            reStart Function            Timer            Count-up timer            Keep warm function for all cooking zones            Display of the heat up phase            17 power levels            Automatic pan recognition sensor            powerManagement function            Safety switch-off            Childproof lock            Wipe protection function            Digital 2-step Residual heat indicator            Main switch            Home Connect</p>	<p><b>Integrated ventilation system</b>            Suitable for ducted or recirculated extraction configuration            Aesthetically integrated fully flush air intake design with floating, heat resistant glass ceramics element for free movement and placement of cookware.            Dual lightSlider touch control            17 electronically controlled fan power levels and 2 Boost-/Intensive fan power levels (with automatic revert)            Sensorbased, fully automatic mode of ventilation system:            -Automatic switch-on of ventilation system when a cooking zone is used.            -Automatic adjustment of power levels via advanced algorithm            Automatic delayed shut-off after cooking to erase residual odors after cooking (12min in ducted extraction, 30min in recirculated extraction, can be shut-off manually).            Manual control possible via Dual lightSlider touch control.            High-performance, low-noise with energy-efficient BLDC-technology            High extraction rates at very low noise            Easy-to-detach and easy-to-clean grease filter and liquid collector unit            Integrated, large-scale, high performance stainless-steel grease filters with 12 filtration layers and one black top layer            Grease filtration efficiency of 94 %.            All parts of the unit are easy-to-clean, fully dishwasher safe and heat resistant.            (Upper) Liquid collector unit with 200ml of capacity for standard accidental spillages or cooking condensate.            Powerful drainage system for spillages that exceed 200ml of liquids.            Liquid safety collector with additional capacity of 700ml for more severe accidental situations, easily accessible and detachable from below.            Overall capturing capacity of 900ml (200ml + 700ml).            Watertight blower system.</p>
<b>Design</b>	Bevelled front, metal trims on the sides, black design	
<b>Accessories</b>	HZ390250 Wireless temperature sensor for cooktop (included)  Extractor Accessories:  HZ9VEDU0 Acoustic Filter for ducted option R 1 099.00 HZ9VRUD0 Recirculation Kit R 2 639.00 HZ9VRCR0 CleanAir filter (replacement) R 1 099.00	
<b>Product specs</b>	For technical dimensions please refer to installation diagrams. Maximum output air extraction 500 m³/h Boost position output recirculating 615 m³/h Maximum output recirculating air 500 m³/h Boost position air extraction 622 m³/h  Appliance dimension (hxwxh): 223 x 812 x 520 mm Niche Dimension: 223 x 750 x 490 mm Rating: 7400 W	
<b>Price Incl. VAT*</b>	<b>R 52 099.00</b>	

\*The availability of the Home Connect functionality depends on the availability of the Home Connect Services in your country. Home Connect Services are not available in every country – for further information please check: [www.home-connect.com](http://www.home-connect.com)



# studioLine Extractors

Light up life in your kitchen.

Discover the new Siemens decorative hoods: the ultimate design highlight in your home. Outstanding performance meets stunning design.

Brushless blower: powerful and quiet extraction of steam.

The climateControl Sensor monitors steam and odors and adjusts the power level automatically.

emotionLight Pro: Adapt your extractor hood to your style.

## Angled and Flat hoods

With the iQ drive brushless motor that delivers quiet but powerful extraction of steam, and a climateControl sensor which monitors and then adjusts the extraction speed depending on the level of steam or odours present when cooking, the Siemens studioLine angled and flat hoods bring sophistication and practicality to the kitchen experience. With WiFi technology included, you can now customise and set the mood of your living space by selecting from a range of 256 colours in the Home Connect app.



## Remove cooking smells without air extraction: CleanAir compatible

Thanks to its increased filter surface the new cleanAir recirculating module from Siemens studioLine can neutralise up to 95% of odours, turning them into fresh air. This is around 25% higher than conventional recirculating systems and rivals the performance of air extraction systems for odour removal and grease separation.



<b>Model</b>	<b>LC91KWW61S</b>
<b>Product description</b>	<b>iQ700 90 cm black chimney hood, inclined design, black with glass canopy</b>
<b>Comfort and safety</b>	Suitable for ducted or re-circulated extraction Cooktop-based hood control PowerBoost position 3 speeds plus 2 intensive Electronic controls Automatic 10min after running Air quality sensor Efficient BLDC-technology Twin channel high performance fan motor 2 capture areas: front side and bottom side Rim Ventilation softLight Saturation indicator for grease filter and odor filter Metal grease filter, dishwasher safe Ambient light Light dimmer function Twin channel high performance fan motor *HomeConnect
<b>Design</b>	Glass plate: clear glass black printed
<b>Accessories</b>	LZ11AKV16 - CleanAir Plus Recirc Kit chimless R 3 299.00 LZ11AKI16 - CleanAir Plus Recirc Kit R 3 299.00 LZ11AKB16 - CleanAir Filter (repl) R 2 599.00
<b>Product specs</b>	For technical dimensions please refer to installation diagrams. max. Normal use 527 m <sup>3</sup> /h Intensive 988 m <sup>3</sup> /h Rating: 270W
<b>Price Incl. VAT*</b>	<b>R 22 699.00</b>

\*Recommended Retail Price.  
Prices include VAT and are subject to change without prior notice. Guarantee terms and conditions attached.  
This price list supercedes all other price lists. No responsibility is accepted for printing errors. E&OE.

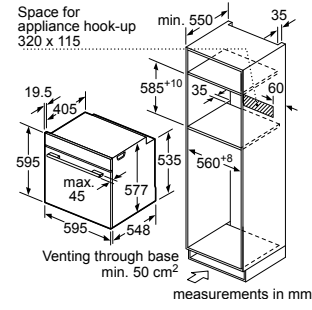


Model	LF98BIR55	LR29CQS25
Product description	<b>iQ500</b> 90 cm stainless steel island chimney hood, box design	<b>iQ700</b> 120 cm white ceiling hood
Comfort and safety	<p>Electronic controls with touchControl touchControl with 7-segment display 3 speeds plus 2 intensive Automatic revert setting, 6 minutes Automatic 10 minutes after running Boost function Light dimmer function Efficient BLDC-technology 4 x 3W LED Saturation indicator for metal and charcoal filter Stainless steel filter covers, dishwasher safe Metal grease filter, dishwasher safe * Home Connect for connected home appliances and operation via smartphone or tablet (only in countries where Home Connect service is available)</p>	<p>Comfort and safety Ceiling mounted extractor Electronic controls via remote control Air quality sensor Cooktop-based hood control Fully automatic hood RimVentilation Efficient BLDC-technology Twin channel high performance fan motor Turnable blower, air outlet on all four sides possible 3 speeds plus 2 intensive Automatic reset facility from intensive to normal setting Automatic 10 minutes after running Filter cover glass Black grease filter with stainless steel frame Metal grease filter, dishwasher safe Easy to clean inner frame in white Saturation indicator for metal and charcoal filter Lighting with 1 x 22.7 W LED panel Light dimmer function softLight * Home Connect for connected home appliances and operation via smartphone or tablet (only in countries where Home Connect service is available)</p>
Design	Stainless steel: Island chimney hood, Box design	Filter cover glass Black grease filter with stainless steel frame Metal grease filter, dishwasher safe
Accessories	LZ53850 Recirculation Kit R 1 079.00 LZ53451 Active Charcoal Filter (replacement Filter) R 819.00	LZ20JCD50 Long life Recirculation Kit (inox) R 5 499.00 LZ21JCC26 CleanAir Plus Recirculation Module (white) R 3 299.00
Product specs	For technical dimensions please refer to installation diagrams max. Normal use 445 m <sup>3</sup> /h Intensive 867 m <sup>3</sup> /h Rating:	For technical dimensions please refer to installation diagrams max. Normal use 458 m <sup>3</sup> /h Intensive 933 m <sup>3</sup> /h Rating: 250W
Price Incl. VAT*	R 28 299.00	R 43 099.00

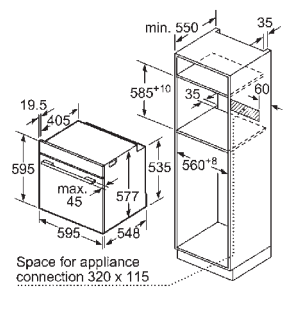
\*The availability of the Home Connect functionality depends on the availability of the Home Connect Services in your country. Home Connect Services are not available in every country – for further information please check: [www.home-connect.com](http://www.home-connect.com)

# Installation diagrams

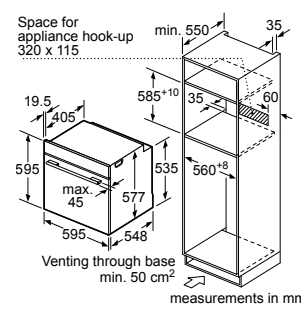
## OVENS



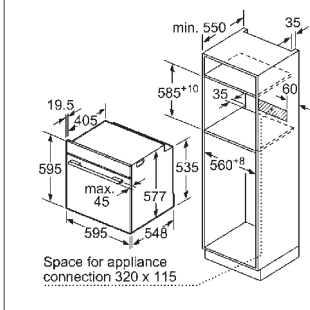
HN878G4B6



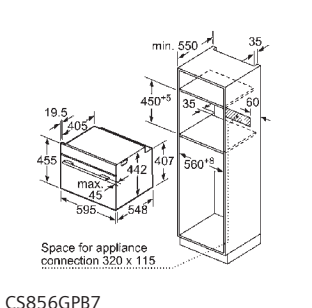
HS858GX8B6



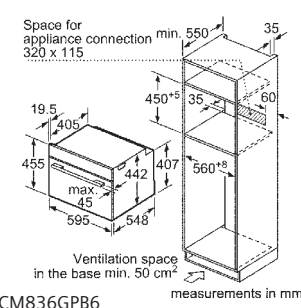
HM876G2B6



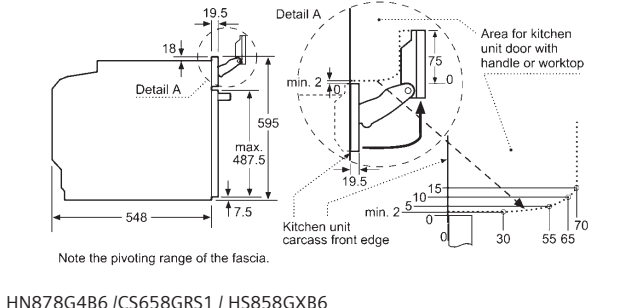
HB876G8B6



CS856GPB7

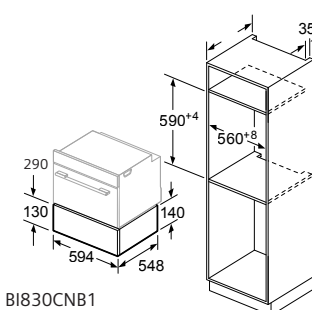


CM836GPB6

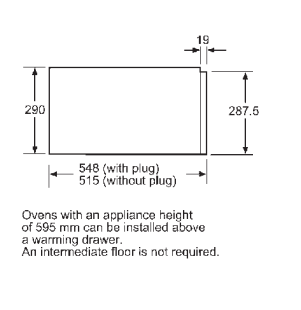


HN878G4B6 / CS658GRS1 / HS858GX8B6

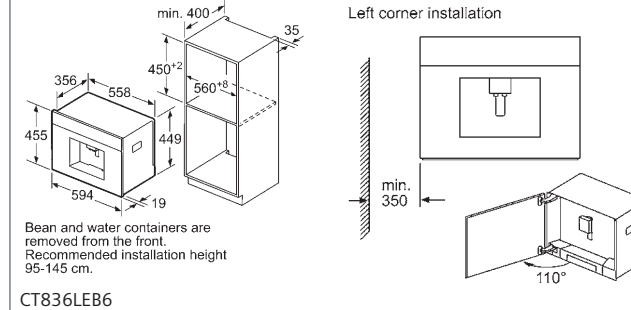
## COMPACT APPLIANCES



BI830CNB1

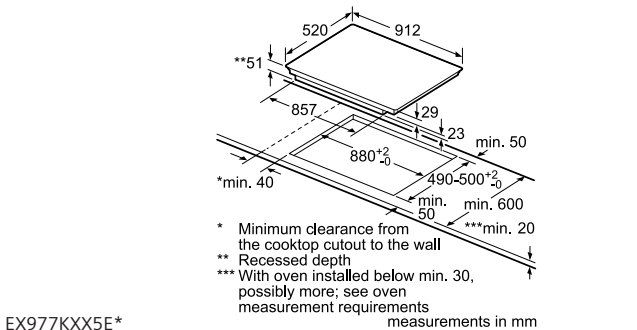


CM836GPB6

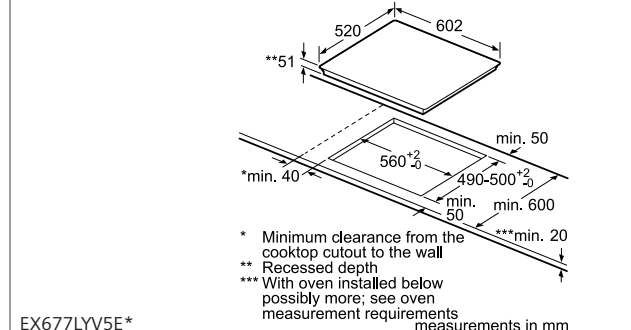


CT836LEB6

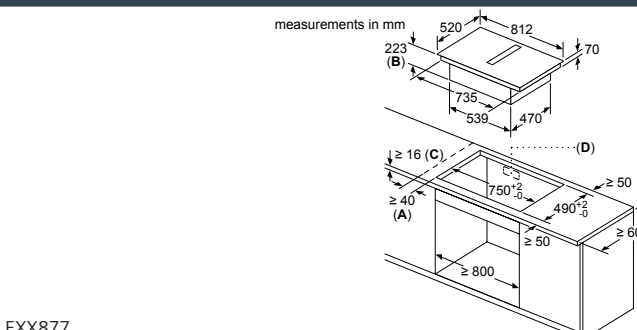
## INDUCTION HOBS



EX977KXX5E\*



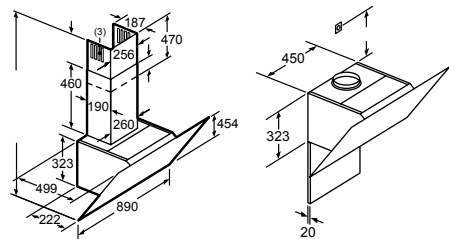
EX677LYV5E\*



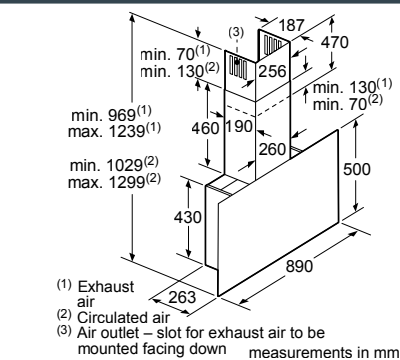
EX877



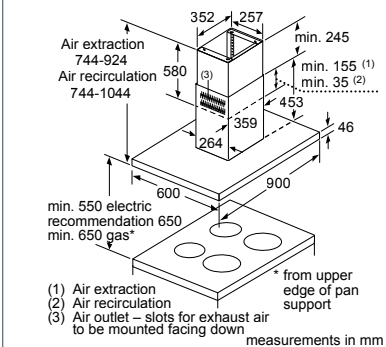
## EXTRACTORS



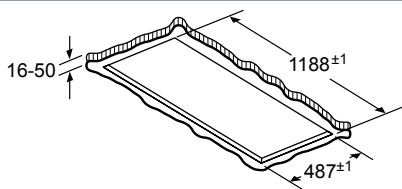
LC91KWW60S



LC97FVW60S



LF98BIR55

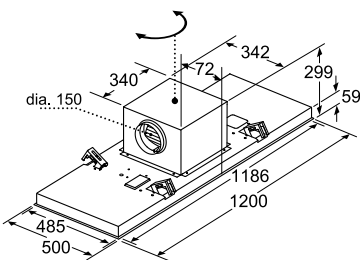


Do not mount directly in the drywall or similar lightweight materials of the suspended ceiling. Suitable subframe which is firmly fixed in the concrete ceiling is required.

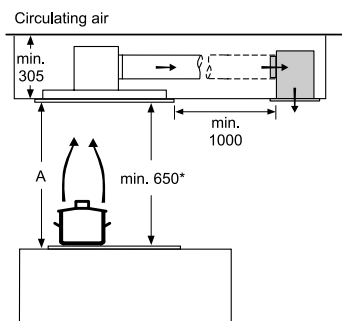
measurements in mm

LR29CQS25

Fan outlet can be rotated in all four directions



measurements in mm



\* from the grate surface

## Guarantee Conditions

Guarantee is not valid if appliances are used in an industrial application. Appliance must be installed by a licensed tradesman according to BSH and national or local regulations.

Total guarantee period for built-in appliances: 5 years from date of purchase.

Total guarantee period for CT636LES1 coffee machine: 3 years from date of purchase.

Transport damages will only be accepted 7 days after delivery to end user or contractor working on behalf of end user (kitchen company, building contractor).

First year full guarantee on parts and labour – excluding very fragile parts i.e. glass, plastic, light bulbs.

Second and third year on functional parts only: electronics, timers, switches, locks, clocks, thermostats, fans plus labour to repair or replace.

Fourth and fifth year on functional parts only: electronics, timers, switches, locks, clocks, thermostats, fans plus labour to repair or replace.

After guarantee expires, customer must pay a current call out fee towards labour costs.

### Condition governing appliance service

1. A guarantee claim ceases once repair or work is undertaken by a person not entitled by BSH to do so or if the appliance is provided with spare parts, attachments or accessories that are not original, therefore causing damage.
2. The guarantee is given in such a manner that defective parts are repaired free of charge or – and this is BSH choice – replaced by perfect parts.
3. A claim under guarantee does not cause an extension of the guarantee period nor does it start a new guarantee period.
4. If BSH refuses repair or repair fails and the end user so requires, a replacement of equal value is supplied free of charge within the above guarantee period.
5. These conditions of guarantee are applicable to appliances purchased in South Africa. If appliances are taken abroad and meet the technical requirements (e.g. voltage, frequency, type of gas etc) of such country while also being suitable for the respective climate and environmental conditions, these terms of guarantee are applicable only if BSH have an approved customer service network in such country.

\* Valid from February 2008

## Siemens Home Appliances

### Head Office

37 Commerce Crescent (First Floor)

Kramerville

Johannesburg

Tel: (011) 265-7800

Fax: (011) 265-7817

### Brand Experience Centre Johannesburg

30 Archimedes Street

Kramerville

Johannesburg

2148

Tel: 010 001 0019

### Brand Experience Centre Cape Town

17 Church Street

Bree Street Studios

Cape Town

8000

Tel: 021 550 9900

[siemens-home.bsh-group.com/za/](http://siemens-home.bsh-group.com/za/)

BSH Group is a Trademark Licensee of Siemens AG.