

AEG

Premier Partner

2022 APPLIANCE RANGE MAP

Showroom Copy



AEG

WHY SETTLE FOR GOOD ENOUGH?

The new campaign from AEG, broadcasting now
across SkyAdsmart and on demand services.

CHALLENGE THE EXPECTED



CONTENTS

The Matt Black Collection	06
Single Ovens	12
Oven / Hob One Packs	16
Double Ovens	18
Compact Ovens	20
Coffee Machines	22
Microwaves	24
Warming Drawers / Vacuum Sealers	26
Hobs	28
Hoods	38
Dishwashers	44
Refrigeration	46
Laundry	54
Installation Diagrams	58



INNOVATIONS THAT PUSH THE BOUNDARIES IN THEIR KITCHENS

We lead by challenging convention and creating innovations that go beyond what you expect from appliances in your home. We know you already master your skills. We are here to help you take them even higher. With innovations that push the boundaries of what is achievable. And smart solutions engineered to learn and predict your needs and adapt to how you live. And we always match sustainability with beauty and unparalleled performance, so you don't have to compromise. It's time to forget outdated rules and trust your appliances.



DISHWASHERS

It's not just about the food – the style of cutlery and plates affect our perceptions of what we eat. A dark chocolate dish looks its best when served on an angular plate, while a round plate is better for cheesecake. So you need a range of tableware that complements your food presentation and can be cared for in the most efficient way.



HOB'S

At AEG we believe that a hob should look as good as it performs. Which is why all our induction hobs are designed not just to bring out the best in your cooking, but also to give you all the flexibility you need while cooking and to look fantastic in your kitchen.



HOODS

Our cooking environments need to be fresh, bright and peaceful, enriching the time that we spend there. We use advanced technology to ensure that the design and build of our cooker hoods give you the optimum combination of high-end design and powerful functionality.



OVENS

However you like to cook and whatever your favourite dishes, there's an AEG oven for you. Featuring our intelligent technology, every oven makes it effortless and enjoyable to create great tasting food, exactly the way you like it.

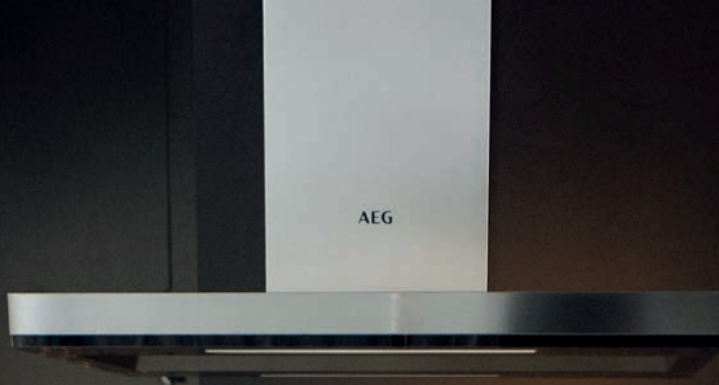


REFRIGERATION

Flavour is all about freshness and storing ingredients – the right humidity and temperature is vital. But how do you want your fridge arranged? Our solution lets you decide. Everything and anything fits in perfectly for long-lasting flavour.



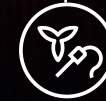
HOB'HOOD



TWINTECH
NO FROST



COMFORTLIFT®



SENSECOOK



SENSEPRO®



AEG

THE MATT BLACK COLLECTION.

The Matt Black Collection from AEG brings together years of material engineering for an exclusive and premium execution. The quality of the materials are brought to life with architectural edges and tactile surfaces, with polished displays and interaction areas bringing new aesthetics and improved functionality to an increasingly sophisticated kitchen space.

INSPIRATION BEHIND THE DESIGN









“The matt glass fascia is created by an etching process, a technology from the architectural world. The matt texture has natural anti-fingerprint properties, which is tested to be much more resistant to stains and easier to clean, bringing an advanced level of performance.”

Terence Tan

Terence Tan, Senior Master Designer



MATT BLACK COLLECTION

	Multifunction Pyrolytic Self-Cleaning	Multifunctional with Steam and SousVide	Multifunction Oven with Microwave	Fully Automatic Coffee Machine	Wine Cooler	Warming Drawer	Vacuum Sealer	Angled Screen
	Command Wheel				Built-In Compact	14cm		90cm
AEG	1 Premier Partner EXCLUSIVE	2 Premier Partner EXCLUSIVE	3 Premier Partner EXCLUSIVE	4 Premier Partner EXCLUSIVE	5 Premier Partner EXCLUSIVE	6 Premier Partner EXCLUSIVE	7 Premier Partner EXCLUSIVE	8 Premier Partner EXCLUSIVE
								
	BPK948330T	BSK999330T	KMK968000T	KKK994500T	KWK884520T	KDK911424T	KDK911423T	DVK6981HR

Specifications

	Model	Type	No. Oven Functions	Cleaning Method	Connected	Litre Capacity	Telescopic Runners (Set)	Oven Liners	Energy Rating	Connected Load (W)	Amp	Aperture (mm)
1	BPK948330T	Matt Black Multifunction Pyrolytic Self-Cleaning Oven with Command Wheel	13	Pyrolytic	Yes	71	1	Enamel	A++	3500	16	H590 x W560 x D550
	Model	Type	No. Oven Functions	Cleaning Method	Connected	Litre Capacity	Telescopic Runners (Set)	Oven Liners	Energy Rating	Connected Load (W)	Amp	Aperture (mm)
2	BSK999330T	Matt Black Multifunctional with Steam and SousVide with Command Wheel	17	Steam	Yes	70	1	Enamel	A++	3500	16	H590 x W560 x D550
	Model	Type	Functions	Connected	Litre Capacity	Connected Load (W)	Amp	Energy Rating	Aperture (mm)			
3	KMK968000T	Matt Black Compact Multifunction Oven with Microwave and Command Wheel	14	Yes	43	3000	13	N/A	H450 x W560 x D550			
	Model	Type	Functions	Connected	Water Tank Litre Capacity	Connected Load (W)	Amp	Aperture (mm)				
4	KKK994500T	Matt Black Coffee Machine with Command Wheel	16	No	2.4	1350	13	H450 x W560 x D550				
	Model	Type	Capacity	Shelves	Energy Rating	Noise Rating	Appliance Dimension (mm)					
5	KWK884520T	Matt Black Compact Wine Cooler	18 Bottles	2	F	C	H450 x W560 x D550					
	Model	Type	Functions	Place Setting	Temp Range °C	Aperture (mm)						
6	KDK911424T	14cm Matt Black Warming Drawer	6	6	30-80	H141 x W560 x D550						
	Model	Type	Functions	Place Setting	Temp Range °C	Aperture (mm)						
7	KDK911423T	14cm Matt Black Vacuum Sealer	4	N/A	N/A	H141 x W560 x D550						
	Model	Type	Extraction Rate* Maximum (m ³ /h)	Noise Level* (dB)	Energy Rating	Hob2Hood	Filter Included	Upgraded Filter**	Installation Height Minimum (mm)			
8	DVK6981HR	90cm Matt Black Angled Screen	750	43dB – 54dB	A+	Yes	MCFB63	MCFB64	Electric 500 / Gas 500			

ALWAYS IN CONTROL.

Our oven and compact range come with beautiful and intuitive user interfaces to suit all your cooking needs.



Command Wheel Controls

The Command Wheel gives you an intuitive way to operate all the cooking settings. It swiftly responds to your actions so that you always have control of every step of the cooking process.



EXCite Touch Controls

Intuitive touch display control panel gives you access to a wide variety of oven functions to suit every dish.



ProSight Touch Controls

LCD display with electronic touch control panel – simple to operate and beautifully designed.

















Retractable Rotary Controls

High quality finish stainless steel retractable knobs.

THE PERFECT DESIGN ALIGNMENT.

Our oven and compact range offer the perfect design alignment options, both horizontally and vertically. For matching design alignment including user interface, pair appliances with the same controls using the below chart.

Product Description	 Command Wheel Control	 EXC ite Touch Controls	 ProSight Touch Controls	 Retractable Rotary Controls
Single Multifunction  SteamBake™ Oven with  Catalytic Cleaning				BCK55632XM
Single Multifunction Oven with  Pyrolytic Self-Cleaning	BPK948330M BPK948330T	BPK748380B BPK748380M		BPK55632PM
Single Multifunction  SteamBake™ Oven with  Pyrolytic Self-Cleaning				BPK355020M
Single Multifunction Oven with  Pyrolytic Self-Cleaning and Side Hinged Door			BPK744L21M BPK744R21M	
Single Multifunction  SteamCrisp Oven with  Pyrolytic Self-Cleaning	BSK978830M		BSK774320M	
Single Multifunction  SteamBoost Oven			BSK782320M	
Single Multifunction  SteamPro Oven	BSK999330M BSK999330T	BSK792380B BSK798380M		
Compact Multifunction Oven with Microwave	KMK968000M KMK968000T	KMK768080M		KMK565000M
Compact Microwave with Grill				KMK525800M
Compact Coffee Machine	KKK994500M		KKK884500M	
14cm Warming Drawer	KDK911424M	KDK911424M	KDK911424M	KDK911424M

COOKING ICONS. KEY FEATURES GUIDE.



SteamPro

Our SteamPro multifunctional ovens provide you with the SousVide function, a powerful tool that has been used by professional chefs for many years. They also include all of the benefits of our SteamBoost and SteamCrisp models.



SteamBoost

The introduction of steam makes all the difference. Locking in the natural moisture to deliver a whole range of juicy and succulent dishes including meat, fish, casseroles and vegetables – even desserts. Our SteamBoost models have 3 levels of steam (humidity), low, medium and high.



SteamCrisp

By combining steam (to produce low humidity) and traditional heat in the Quarter steam programme, food is cooked gently from the outside to the centre, enhancing food taste and achieving better results. Perfect for cooking the Sunday roast.



SteamBake™

Adds a bit of steam for the right colour and crust, improving all of your baking results.



Steamify®

Mastering precise results with steam has never been easier. Select your desired cooking temperature and Steamify® will automatically add the optimal amount of steam.



Connected

Easily monitor and set your oven programmes with our AEG App. This allows you to adjust cooking programmes, follow step by step recipes, and even allows you to set cooking programmes based on real time food images.



SurroundCook®

Hot air fan that circulates the air more effectively than a conventional oven so that your food gets evenly cooked anywhere in the oven.



SenseCook

Food sensor that adapts to what you are cooking and helps you get the results you are aiming for. Just tell the oven how you want your dish cooked and the oven will let you know once your food has reached the right temperature.



Multifunction

Multifunction ovens have all of the familiar cooking functions, including our extra large hot air fan.



Dual Multifunction

Both oven cavities are multifunctional, which means they have all of the traditional cooking functions including True Fan.



Command Wheel

The Command Wheel gives you an intuitive way to operate all the cooking settings. It swiftly responds to your actions so that you always have control of every step of the cooking process.



ProSight / EXCite Touch Controls

Full-touch electronic control panel – simple to operate and beautifully designed.



Retractable Controls

High quality finish stainless steel retractable knobs.



800w Quartz Grill

Flexible cooking thanks to microwave functions and integrated quartz grill.



Pyrolytic

With our Pyrolysis function, this self cleaning oven heats up to 500°C and turns food residue to ash.



CookView

With the CookView camera and connection to the AEG app you can start to visually control and finetune the cooking progress straight from the app.



Catalytic Liners

The catalytic lining absorbs the grease from cooking and is activated by regular heating to 220°C. The grease residue is oxidised leaving the catalytic surface clean.



XXL

All of our single ovens have an extra large capacity, allowing you to cook on all 5 levels simultaneously.



Telescopic Runners

Allows you to pull the shelves smoothly out of the oven. This enables you to efficiently and safely access the contents of your oven



Fully Programmable

Precise timer that switches off the oven when you want. Ideal for dishes with a long cooking process.



3 Vacuum Settings

Seal your food under a range of air extraction levels, from 50% – 99% efficiency, ensuring that marinades don't leak from the bag and that no unnecessary air enters it.



Non-Vented Installation

Self ventilating microwaves, allows for more flexibility when installing.

FUNCTIONS GUIDE.



SousVide Cooking

SousVide cooking is an old cooking technology used by professional chefs to cook vacuum packed food slowly at a low, accurately controlled temperature.



Full Steam

The SteamBoost oven with Full Steam function makes more of the flavours within your food. Combining all of traditional oven functions with the added benefit of steam.



Humidity High

The function is suitable for cooking delicate dishes like custards, flans, terrines and fish.



Humidity Medium

The function is suitable for cooking stewed and braised meat as well as bread and sweet yeast dough. Due to the combination of steam and heat the meat gets a juicy and tender texture and yeast dough bakes get a crispy and shiny surface.



Humidity Low

The function is suitable for meat, poultry, oven dishes and casseroles. Thanks to the combination of 25% steam and 75% heat, meat gets a tender and juicy texture along with a crusty surface.



True Fan Cooking

Our true fan cooking system gently circulates hot air through the oven cavity. As the oven heats up faster, lower temperatures and shorter cooking times are used to achieve delicious results.



Conventional Cooking

Top and bottom elements heat the oven, providing traditional cooking on one shelf position, which is ideal for baking breads or fruitcakes.



Au Gratin

For dishes such as lasagne or potato gratin.



Bottom Heat

Oven is heated by the bottom element only. Food is gently reheated, ideal for pies and pastries, as it keeps the pastry crisp.



Turbo Grilling

Heat from the top element is circulated by the fan, sealing and crisping the food.



Grilling

Fully controllable powerful grill, ideal for family-sized portions of food.



Steam Assisted Fan Cooking

An improved version of the traditional True Fan cooking, combining steam with an extra large hot air fan.



Pizza Setting

Designed to ensure pastry bases, quiches and pizzas are cooked to your taste.



Moist Fan Baking

Retains moisture within the ovens, thus achieving light fluffy results whilst using the oven in an energy efficient way.



Slow Cooking

Two slow cook options, dependent on the quantity of food being cooked. Low temperature combined with patience will guarantee a good result.



Defrost

Defrost your frozen food gently in half the usual time. Ambient air is quickly circulated inside the oven cavity.



Fast Grilling

Combining grill, fan and bottom heat to efficiently produce delicious dishes. Excellent on semi-processed food such as chips and spring rolls.



Bread Baking

Optimum temperature and environment for baking yeast mixtures. Using radiant heat and steam to bake a variety of loaves to your taste.



Dough Proving

Creates the perfect environment to assist bread baking by proving your yeast mixture correctly.



Eco Roasting

Economical setting for roasting large joints or poultry. Simply select the appropriate cooking time depending on the weight of the food, and the oven automatically switches off once the cooking is complete.



Pyrolysis

A total self-cleaning function that heats up to 500°C and turns food residue to ash.



Quarter Steam & Heat

25% steam and 75% heat locks in moisture and browns the outside for irresistible flavours.



Microwave & Grill

Combines traditional microwave and grill functions.



Microwave & Oven

Combines traditional microwave and oven functions.



Defrost by Weight

Take the guesswork away and defrost your food by weighing it during the process.



Auto Favourite






The Auto favourite function has 3 pre-set functions, these are Soften Butter, Melt Chocolate and Mug Cake. You can overwrite these with your favourite recipes.






Steam Regeneration

A great alternative to using the microwave, this function gently reheats previously cooked food using steam, without compromising on flavour or texture.

SINGLE OVENS








Multifunction Pyrolytic with SteamBake™		Catalytic with SteamBake™	Multifunction Pyrolytic Self-Cleaning		
Rotary		Rotary Controls	Rotary Controls	ProSight Touch Controls	
AEG	1	2 Premier Partner EXCLUSIVE	3 Premier Partner EXCLUSIVE	4	5
					
	BPK355020M	BCK55632XM	BPK55632PM	BPK744L21M	BPK744R21M

Multifunction Pyrolytic Self-Cleaning			
Sophisticated Touch Controls		Command Wheel	
AEG	6	7	9 Premier Partner EXCLUSIVE
			
	BPK748380M	BPK748380B	BPK948330M

Specifications

	Model	Type	No. Oven Functions	Cleaning Method	Connected	Litre Capacity	Telescopic Runners (Set)	Oven Liners	Energy Rating	Connected Load (W)	Amp	Aperture (mm)
1	BPK355020M	Multifunction Pyrolytic Self-Cleaning Oven with SteamBake™ and Rotary Controls	10	Pyrolytic	No	71	0	Enamel	A+	3200	16	H590 x W560 x D550
2	BCK55632XM	Multifunction Catalytic Oven with SteamBake™ and Rotary Controls	9	Catalytic	No	71	1	Catalytic	A	3200	16	H590 x W560 x D550
3	BPK55632PM	Multifunction Pyrolytic Self-Cleaning Oven with SteamBake™ and Rotary Controls	10	Pyrolytic	No	71	1	Enamel	A+	3200	16	H590 x W560 x D550
4	BPK744L21M	Multifunction Pyrolytic Self-Cleaning Oven with ProSight Touch Controls and Left Side Hinged Door	14	Pyrolytic	No	72	1	Enamel	A+	3480	16	H590 x W560 x D550
5	BPK744R21M	Multifunction Pyrolytic Self-Cleaning Oven with ProSight Touch Controls and Right Side Hinged Door	14	Pyrolytic	No	72	1	Enamel	A+	3480	16	H590 x W560 x D550
6	BPK748380M	Multifunction Pyrolytic Self-Cleaning Oven with Sophisticated Touch Controls	13	Pyrolytic	No	71	1	Enamel	A++	3500	16	H590 x W560 x D550
7	BPK748380B	Blackline Multifunction Pyrolytic Self-Cleaning Oven with Sophisticated Touch Controls	13	Pyrolytic	No	71	1	Enamel	A++	3500	16	H590 x W560 x D550
8	BPK948330M	Multifunction Pyrolytic Self-Cleaning Oven with Command Wheel	13	Pyrolytic	Yes	71	1	Enamel	A++	3500	16	H590 x W560 x D550
9	BPK948330T	Matt Black Multifunction Pyrolytic Self-Cleaning Oven with Command Wheel	13	Pyrolytic	Yes	71	1	Enamel	A++	3500	16	H590 x W560 x D550





SINGLE OVENS

Multifunction Pyrolytic Self-Cleaning with SteamCrisp			Multifunction with SteamBoost	Multifunction with SousVide & Steaify®			
	ProSight Touch Controls	Sophisticated Touch Controls	Command Wheel	ProSight Touch Controls	Sophisticated Touch Controls	Command Wheel	
AEG	1	2	3	4	5	6	7 Premier Partner EXCLUSIVE
							
	BSK774320M	BSK772380M	BSK978330M	BSK782320M	BSK798380M	BSK999330M	BSK999330T

Specifications

	Model	Type	No. Oven Functions	Cleaning Method	Connected	Litre Capacity	Telescopic Runners (Set)	Oven Liners	Energy Rating	Connected Load (W)	Amp	Aperture (mm)
1	BSK774320M	Multifunction Pyrolytic Self-Cleaning Oven with SteamCrisp and ProSight Touch Controls	14	Pyrolytic	No	71	1	Enamel	A+	3500	16	H590 x W560 x D550
2	BSK772380M	Multifunction Pyrolytic Self-Cleaning Oven with SteamCrisp and Sophisticated Touch Controls	14	Pyrolytic	No	71	1	Enamel	A+	3500	16	H590 x W560 x D550
3	BSK978330M	Multifunction Pyrolytic Self-Cleaning Oven with SteamCrisp and Command Wheel	19	Pyrolytic	Yes	71	1	Enamel	A++	3500	16	H590 x W560 x D550
4	BSK782320M	Multifunction SteamBoost Oven with ProSight Touch Controls	14	Steam	No	70	1	Enamel	A+	3500	16	H590 x W560 x D550
5	BSK798380M	Multifunction SteamPro Oven with Steamify® and Sophisticated Touch Controls	17	Steam	No	70	2	Enamel	A++	3500	16	H590 x W560 x D550
6	BSK999330M	Connected SteamPro Multifunction Sous Vide oven with EXCite+ Command Wheel	25	Steam	Yes with CookView®	70	1	Enamel	A++	3500	16	H590 x W560 x D550
7	BSK999330T	Matt Black Multifunction SteamPro Oven with Steamify® and Command Wheel	25	Steam	Yes with CookView®	70	1	Enamel	A++	3500	16	H590 x W560 x D550

OVEN / HOB ONE PACKS




MFPACK2		TECHPACK2	
Multifunction Oven with SurroundCook	60cm Induction Hob	Multifunction Pyrolytic with SteamBake™	60cm Induction Hob
Rotary	Touch Control	Rotary	Touch Control
1  BEB231011M	2  IKB64401FB	3  BPK355020M	4  IKB64401FB

AEG

Specifications

Model	Type	No. Oven Functions	Cleaning Method	Litre Capacity	Oven Liners	Energy Rating	Connected Load (W)	Amp	Aperture (mm)		
1	MFPACK2	SurroundCook Multifunction Oven, Stainless fascia, Fixed Rotary Knobs, White LEDs, Stainless steel	5	n/a	72	Enamel	A	2780	16	H590 x W560 x D550	
Model	Type	Number of Zones	Hob2Hood	Pause	Bridging Function	Control Type	Installation	KW Rating	Amp	Aperture (mm)	
2	MFPACK2	60cm Induction	4	No	Yes	Yes	Direk Touch Slider	Slim	7400	30	H455 x W560 x D490
Model	Type	No. Oven Functions	Cleaning Method	Litre Capacity	Oven Liners	Energy Rating	Connected Load (W)	Amp	Aperture (mm)		
3	TECHPACK2	Multifunction Oven with Pyrolytic Cleaning and SteamBake™ – Rotary Controls with Touch Control Programmable Time	10	Pyrolytic	71	Enamel	A+	3200	16	H590 x W560 x D550	
Model	Type	Number of Zones	Hob2Hood	Pause	Bridging Function	Control Type	Installation	KW Rating	Amp	Aperture (mm)	
4	TECHPACK2	60cm Induction	4	No	Yes	Yes	Direk Touch Slider	Slim	7400	30	H455 x W560 x D490

DOUBLE OVENS

Built-In Multifunction		Built-Under Multifunction
Rotary Controls	ProSight Touch Controls	ProSight Touch Controls
1  DCK431110M	2  DCK731110M	3  DUK731110M

AEG

Specifications

	Model	Type	Oven Functions	Litre Capacity	Liners	Amp	Connected Load (W)	Energy Rating	Aperture (mm)
1	DCK431110M	Built-In Multifunction Oven with SurroundCook® and Rotary Controls	Main - 5 Top - 8	Main - 43 Top - 61	Catalytic	30	5100	A/A	H875 x W560 x D550
2	DCK731110M	Built-In Multifunction Oven with SurroundCook® and ProSight Touch Controls	Main - 8 Top - 7	Main - 43 Top - 62	Catalytic	30	5800	A/A	H720 x W600 x D550
3	DUK731110M	Built-Under Multifunction Oven with SurroundCook® and ProSight Touch Controls	Main - 8 Top - 7	Main - 39 Top - 45	Catalytic	30	5900	A/A	H875 x W560 x D550

COMPACT OVENS

Microwave with Grill		Multifunction Oven with Microwave				
	Rotary Controls	Rotary Controls	Sophisticated Touch Controls		Command Wheel	
AEG	1 	2 	3 	4 	5 	6  Premier Partner EXCLUSIVE
	KMK525800M	KMK565000M	KMK768080M	KMK768080B	KMK968000M	KMK968000T

Specifications

	Model	Type	Functions	Connected	Litre Capacity	Connected Load (W)	Amp	Energy Rating	Aperture (mm)
1	KMK525800M	Compact Microwave & Grill with Rotary Controls	2	No	43	2100	13	N/A	H450 x W560 x D550
2	KMK565000M	Compact Multifunction Oven with Microwave and Rotary Controls	9	No	43	2000	13	N/A	H450 x W560 x D550
3	KMK768080M	Compact Multifunction Oven with Microwave and Sophisticated Touch Controls	13	Yes	43	3000	13	N/A	H450 x W560 x D550
4	KMK768080B	Blackline Compact Multifunction Oven with Microwave and Sophisticated Touch Controls	13	Yes	43	3000	13	N/A	H450 x W560 x D550
5	KMK968000M	Compact Multifunction Oven with Microwave and Command Wheel	14	Yes	43	3000	13	N/A	H450 x W560 x D550
6	KMK968000T	Matt Black Compact Multifunction Oven with Microwave and Command Wheel	14	Yes	43	3000	13	N/A	H450 x W560 x D550

COFFEE MACHINES

Fully Automatic

ProSight Touch Controls

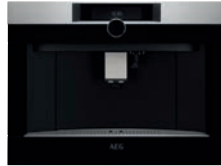
Command Wheel

1



KKK884500M

2



KKK994500M

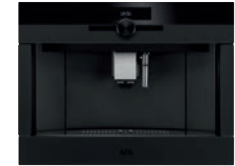
3



KKK994500B

4

Premier Partner
EXCLUSIVE



KKK994500T

AEG

Specifications

	Model	Type	Functions	Connected	Water Tank Litre Capacity	Connected Load (W)	Amp	Aperture (mm)
1	KKK884500M	Coffee Machine with ProSight Touch Controls	6	No	1.8	1350	13	H450 x W560 x D550
2	KKK994500M	Coffee Machine with Command Wheel	16	No	2.4	1350	13	H450 x W560 x D550
3	KKK994500B	Blackline Coffee Machine with Command Wheel	16	No	2.5	1350	13	H450 x W560 x D551
4	KKK994500T	Matt Black Coffee Machine with Command Wheel	16	No	2.4	1350	13	H450 x W560 x D550

MICROWAVE OVENS

Built-In

Touch Controls

1



MBB1755SEM

2



MBB1756SEM

3



MBE2658SEM

AEG

Specifications

	Model	Type	Capacity (L)	Power Levels	Cooking Programmes	Output	Aperture (mm)
1	MBB1755SEM	50cm Wide Built-in Microwave with Touch Controls	17	5	3	800W	H360 X W462 X D300
2	MBB1756SEM	60cm Wide Built-in Microwave with Touch Controls	17	5	3	800W	H360 x W562 x D300
3	MBE2658SEM	45cm High Built-in Microwave with Touch Controls	26	5	3	900W	H450 x W562 x D500

WARMING DRAWERS / VACUUM SEALERS

14cm Warming Drawers

29cm Warming Drawers

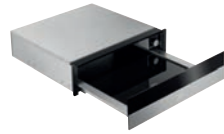
AEG

1



KDE911424M

2



KDK911424M

3



KDE911424B

4

Premier Partner
EXCLUSIVE



KDK911424T

5



KDK912924M

6



KDE912924M

14cm Vacuum Sealers

AEG

7



KDK911423M

8



KDE911423B

9

Premier Partner
EXCLUSIVE




















KDK911423T

Specifications

	Model	Type	Functions	Place Setting	Temp Range °C	Aperture (mm)
1	KDE911424M	14cm Stainless Steel Warming Drawer	6	6	30-80	H141 x W560 x D550
2	KDK911424M	14cm Black Glass & Stainless Steel Warming Drawer	6	6	30-60	H141 x W560 x D550
3	KDE911424B	14cm Blackline Warming Drawer	4	6	30-80	H141 x W560 x D550
4	KDK911424T	14cm Matt Black Warming Drawer	6	6	30-80	H141 x W560 x D550
5	KDK912924M	29cm Black Glass & Stainless Steel Warming Drawer	6	12	30-60	H295 x W560 x D550
6	KDE912924M	29cm Stainless Steel Warming Drawer	6	12	30-60	H295 x W560 x D550
7	KDK911423M	14cm Black Glass & Stainless Steel Vacuum Sealer	4	N/A	N/A	H141 x W560 x D550
8	KDE911423B	14cm Blackline Vacuum Sealer	4	N/A	N/A	H141 x W560 x D550
9	KDK911423T	14cm Matt Black Vacuum Sealer	4	N/A	N/A	H141 x W560 x D550

INDUCTION HOBS

60cm						80cm	
Plug & Play	Touch Control	SenseBoil®		MaxiSense®	Pure	Induction	MaxiSense®
1	2	3	4	5	6	7	8
							
ILB64334CB**	IKB64401FB	IAE64411FB	IAE64421FB**	IKE64450FB	IPE64551FB	IKB84401FB	IKE85759FB**

80cm							90cm	
SenseBoil®	Pure	Active Touch	SenseFry®	TotalFlex	SensePro®	Flexibridge	MaxiSense®	
9	10	11	12	13	14	15	16	17
								
IAE84411FB	IAE84421FB	IPE84531FB	IKE85651FB	IAE84851FB	IKK86681FB	IAE84881FB	IKE95759FB**	IKK93431FB






Specifications

	Model	Type	Number of Zones	Hob2Hood	Stop&Go	Bridging Function	Control Type	Installation	KW Rating	Amp	Aperture (mm)
1	ILB64334CB**	60cm Plug & Play	4	Yes	Yes	No	Touch Control	Slim	3000	13	See Installation Diagram
2	IKB64401FB	60cm Induction	4	No	Yes	Yes	DirekTouch Slider	Slim	7400	30	See Installation Diagram
3	IAE64411FB	60cm SenseBoil®	4	Yes	Yes	No	DirekTouch Slider	Slim	7350	30	See Installation Diagram
4	IAE64421FB**	60cm SenseBoil®	4	Yes	Yes	Single	DirekTouch Slider	Slim	7350	32	See Installation Diagram
5	IKE64450FB	60cm MaxiSense®	4	No	Yes	Double	DirekTouch Slider	Slim	7400	30	See Installation Diagram
6	IPE64551FB	60cm Pure	4	Yes	Yes	No	Rotary DirekTouch	Slim	7400	30	See Installation Diagram
7	IKB84401FB	80cm Induction	4	Yes	Yes	No	DirekTouch Slider	Slim	7350	30	See Installation Diagram
8	IKE85759FB**	80cm MaxiSense®	5	Yes	Yes	No	DirekTouch Slider	Slim	7350	30	See Installation Diagram
9	IAE84411FB	80cm SenseBoil®	4	Yes	Yes	Yes	DirekTouch Slider	Slim	7350	30	See Installation Diagram
10	IAE84421FB	80cm SenseBoil®	4	Yes	Yes	Yes	DirekTouch Slider	Slim	7350	30	See Installation Diagram
11	IPE84531FB	80cm Pure	4	Yes	Yes	No	Rotary DirekTouch	Slim	7400	30	See Installation Diagram
12	IKE85651FB	80cm Active Touch	5	Yes	Yes	Double	ActiveTouch	Slim	7350	30	See Installation Diagram
13	IAE84851FB	80cm SenseFry®	4	No	Yes	Single	TFT Touch	Slim	7350	30	See Installation Diagram
14	IKK86681FB	80cm TotalFlex	6	Yes	Yes	Yes	Active Touch	Slim	7350	30	See Installation Diagram
15	IAE84881FB	80cm SensePro®	4	No	Yes	Single	TFT Touch	Slim	7350	30	See Installation Diagram
16	IKE95759FB**	90cm Flexibridge	5	Yes	Yes	Single	DirekTouch Slider	Slim	7200	30	See Installation Diagram
17	IKK93431FB	90cm MaxiSense®	3	No	Yes	No	DirekTouch Slider	n/a	6900	30	See Installation Diagram

*PHASED OUT MODEL - please check stock availability with your Account Manager

**NEW MODEL - please check date of availability with your Account Manager

EXTRACTOR HOBS

Extractor Hobs					
	72cm Recirculating	83cm Recirculating		83cm Ducted	
AEG	1	2	3	4	5
					
	IDE74243IB	CCE84751FB	CCE84779FB	CDE84751FB	CDE84779FB

*Additional installation parts may be required depending on the install types. Please refer to the ComboHob parts document.

Specifications

	Model	Type	Number of Zones	Hob2Hood	Bridging Function	Control Type	Filter Included	Noise Level* (dB)	Installation Type	KW Rating	Amp	Aperture (mm)
1	IDE74243IB	72cm Recirculating Extractor Hob	4	Yes	Single	Touch on Glass	Grease & Charcoal	46dB – 62dB	Half Piping Only	7500	32	See Installation Diagram
2	CCE84751FB	83cm Recirculating Extractor Hob	4	Yes	Double	Direk Touch	2 in 1 Grease & Charcoal	54dB – 73dB	Ductless or Half Piping	7350	30	See Installation Diagram
3	CCE84779FB	83cm Recirculating Extractor Hob	4	Yes	Double	Direk Touch	2 in 1 Grease & Charcoal	54dB – 73dB	Ductless or Half Piping	7350	30	See Installation Diagram
4	CDE84751FB	83cm Ducted Extractor Hob	4	Yes	Double	Direk Touch	Grease	49dB – 70dB	Ducted Straight Down or Left/Right Orientation	7350	30	See Installation Diagram
5	CDE84779FB	83cm Ducted Extractor Hob	4	Yes	Double	Direk Touch	Grease	49dB – 70dB	Ducted Straight Down or Left/Right Orientation	7350	30	See Installation Diagram

INSTALLATION KITS




Installation Kits			
	Ductless or Half Piping	Ducted Straight Down or Left/Right Orientation	
AEG	<p>1</p> <p>M2CKCF01</p>	<p>2</p> <p>CDECLOSEDUCT</p> <p>CDECLOSEDUCT</p>	<p>3</p> <p>CDEFULLDUCT</p> <p>CDEFULLDUCT</p>

Additional Ducting Components Sold Separately - Please see price list for details

Specifications

	Model	Type	Install Type	Kit Contains
1	M2CKCF01	Univeral Ducting kit to complete a Half Pipe Recirculation Installation	Ductless or Half Piping	Includes Piping kit ComboFlex: Rectangular Curve 90° X2 , Rectangular curve 15° X2, Rectangular pipe 90x220 mm (1,2mt) X1, Female connection X1, Adaptor Naber X1
2	CDECLOSEDUCT	UK Install Kit to complete a Duct Out Close Installation.	Ducted Straight Down or Left/Right Orientation	Kit includes part codes M2CKCF03, M2CKCF05, M2CKCF09, M2CKCF10
3	CDEFULLDUCT	UK Install Kit to complete a Duct Out Full Left/Right orientated Installation.	Ducted Straight Down or Left/Right Orientation	Kit includes part codes M2CKCF02, M2CKCF04, M2CKCF05, M2CKCF09, M2CKCF10

CERAMIC / MIXED FUEL / DOMINO HOBS

60cm Ceramic		90cm Mixed Fuel	36cm Domino
	Touch Control	Touch Control	MaxiSense®
AEG	1	2	3
			
	HK634060XB	HD955100NB	IKE42640KB









Specifications

	Model	Type	Gas Burners	Induction Zones	Connected Load (W)	Amp	Aperture (mm)
1	HK634060XB	Ceramic	N/A	4	7000	30	See Installation Diagram
2	HD955100NB	Mixed Fuel	1	4	6800	30	See Installation Diagram
3	IKE42640KB	MaxiSense® Induction Hob	N/A	2	3650	16	See Installation Diagram

*PHASED OUT MODEL - please check stock availability with your Account Manager

**NEW MODEL - please check date of availability with your Account Manager

GAS HOBS

		60cm		75cm						
		Gas	FlameLight Gas on Glass	Gas	FlameLight Gas on Glass	TouchSure Gas on Glass				
AEG	1		2		3		4		5	
		HGB64420YM	HKB64450NB	HGB75420YM	HKB75450NB	HVB75450IB				
	90cm									
		6		7		8				
	AEG		HGB95522YM	HKB95450NB	HVB95450IB					

Specifications








	Model	Type	Number of Burners	Wok Burner	Hob2Hood	Installation	Control Type	Supports	Aperture (mm)
1	HGB64420YM	60cm Gas	4	Yes	No	Slim	Rotary with StepPower	Cast Iron	See Installation Diagram
2	HKB64450NB	60cm FlameLight Gas on Glass	4	Yes	Yes	Standard	Rotary Controls	Cast Iron	See Installation Diagram
3	HGB75420YM	75cm Gas	5	Yes	No	Slim	Rotary with StepPower	Cast Iron	See Installation Diagram
4	HKB75450NB	75cm FlameLight Gas on Glass	5	Yes	Yes	Standard	Rotary Controls	Cast Iron	See Installation Diagram
5	HVB75450IB	75cm TouchSure Gas on Glass	5	Yes	Yes	Standard	Touch	Cast Iron	See Installation Diagram
6	HGB95522YM	90cm Gas	5	Yes	No	Slim	Rotary Controls	Cast Iron	See Installation Diagram
7	HKB95450NB	90cm FlameLight Gas on Glass	5	Yes	Yes	Standard	Rotary with StepPower	Cast Iron	See Installation Diagram
8	HVB95450IB	90cm TouchSure Gas on Glass	5	Yes	Yes	Standard	Touch	Cast Iron	See Installation Diagram

MODEL CODE FINISH DESCRIPTIONS M = Stainless Steel B = Black Glass

*PHASED OUT MODEL - please check stock availability with your Account Manager

**NEW MODEL - please check date of availability with your Account Manager

WALL-MOUNTED CHIMNEY HOODS






70cm		60cm				90cm	
	T-Shape	Pyramid	T-Shape		Pyramid	T-Shape	
AEG	1	2	3	4	5	6	7
							
	DBE5761HG	DKB4650M	DBE5661HG	DBK6680HG	DKB4950M	DBE5961HG	DBK6980HG







Specifications

	Model	Type	Extraction Rate* Maximum (m ³ /h)	Noise Level* (dB)	Energy Rating	Hob2Hood	Filter Included	Upgraded Filter**	Installation Height Minimum (mm)
1	DBE5761HG	70cm T-Shape	700	44dB – 65dB	A	Yes	MCFB58	MCFB59	Electric 500 / Gas 650
2	DKB4650M	60cm Pyramid	603	46dB – 69dB	B	No	MCFE01	MCFE11	Electric 500 / Gas 650
3	DBE5661HG	60cm T-Shape	700	44dB – 65dB	A	Yes	MCFB58	MCFB59	Electric 500 / Gas 650
4	DBK6680HG	60cm T-Shape	750	46dB – 65dB	A+	Yes	MCFB58	MCFB59	Electric 500 / Gas 650
5	DKB4950M	90cm Pyramid	603	46dB – 69dB	B	No	MCFE01	MCFE11	Electric 500 / Gas 650
6	DBE5961HG	90cm T-Shape	700	46dB – 65dB	A	Yes	MCFB58	MCFB59	Electric 500 / Gas 650
7	DBK6980HG	90cm T-Shape	750	46dB – 65dB	A+	Yes	MCFB58	MCFB59	Electric 500 / Gas 600

*Dependent on Installation **Available as an Accessory

ISLAND HOODS










50cm			65cm							
Pendant			Pendant							
AEG	1		2		3		4		5	
		DLE0431M		DLE0431B		DLE0431W		DLE0630W		DLE0630B

90cm				100cm	120cm	
Ceiling	T-Shape	Pendant	Downdraft	T-Shape	Ceiling	
AEG	6	7	8	9	10	11
						
	DCE5960HM	DIE5961HG	DLE0970M	DDE5980G	DIK6180HG	DCK5281HG

Specifications

	Model	Type	Extraction Rate* Maximum (m ³ /h)	Noise Level* (dB)	Energy Rating	Hob2Hood	Filter Included	Upgraded Filter**	Installation Height Minimum (mm)
1	DLE0431M	50cm Stainless Steel Pendant	350	44dB – 70dB	N/A	No	MCFB29	No	Electric 500 / Gas 650
2	DLE0431B	50cm Black Pendant	350	44dB – 70dB	N/A	No	MCFB29	No	Electric 500 / Gas 650
3	DLE0431W	50cm White Pendant	350	44dB – 70dB	N/A	No	MCFB29	No	Electric 500 / Gas 650
4	DLE0630W	65cm White Pendant	350	44dB – 70dB	N/A	No	MCFB29	No	Electric 500 / Gas 650
5	DLE0630B	65cm Black Pendant	350	44dB – 70dB	N/A	No	MCFB29	No	Electric 500 / Gas 650
6	DCE5960HM	90cm Ceiling	710	54dB – 67dB	A	Yes	MCFB60	MCFB62	Electric 750 / Gas 750
7	DIE5961HG	90cm T-Shape	700	44dB – 65dB	A	Yes	MCFB58	MCFB59	Electric 500 / Gas 650
8	DLE0970M	90cm Stainless Steel Pendant	700	42dB – 72dB	N/A	No	MCFB29	No	Electric 500 / Gas 650
9	DDE5980G	90cm Downdraft	680	40dB – 70dB	A	No	MCFE38	No	N/A
10	DIK6180HG	100cm T-Shape	750	46dB – 65dB	A+	Yes	MCFB58	MCFB59	Electric 500 / Gas 600
11	DCK5281HG	120cm Ceiling	720	57dB – 75dB	A+	Yes	MCFB60	MCFB62	Electric 750 / Gas 750

INTEGRATED / ANGLED SCREEN HOODS

54cm		70cm	80cm		60cm Pull Out	
Hidden		Hidden	Hidden		Hidden	
AEG	1	2	3	4	5	6
						
	DGE5661HM	DGE5661HB	DGB3850M	DGE5861HM	DGE5861HB	DEB2631S
	60cm		90cm			
	Angled Screen		Angled Screen			
	AEG	7	8	9 Premier Partner EXCLUSIVE		
						
DVE5671HG		DVE5971HG	DVK6981HR			

Specifications

	Model	Type	Extraction Rate* Maximum (m ³ /h)	Noise Level* (dB)	Energy Rating	Hob2Hood	Filter Included	Upgraded Filter**	Installation Height Minimum (mm)
1	DGE5661HM	54cm Hidden	430	54dB – 68dB	A	Yes	ECFB01	ECFBLL02	Electric 500 / Gas 570
2	DGE5661HB	54cm Hidden	430	54dB – 68dB	A	Yes	ECFB01	ECFBLL02	Electric 500 / Gas 570
3	DGB3850M	70cm Hidden	350	49dB – 63dB	C	No	ECFB02	ECFBLL01	Electric 500 / Gas 650
4	DGE5861HM	80cm Hidden	430	54dB – 68dB	A	No	ECFB01	ECFBLL02	Electric 500 / Gas 570
5	DGE5861HB	80cm Hidden	430	54dB – 68dB	A	No	ECFB01	ECFBLL02	Electric 500 / Gas 570
6	DEB2631S	60cm Hidden	235	47dB – 62dB	D	No	MCFE21	N/A	Electric 500 / Gas 700
7	DVE5671HG	60cm Angled Screen	700	42dB – 64dB	A	Yes	ECFB02	MCFB52	Electric 500 / Gas 500
8	DVE5971HG	90cm Angled Screen	700	42dB – 64dB	A	Yes	ECFB02	MCFB52	Electric 500 / Gas 500
9	DVK6981HR	90cm Angled Screen Matt Black	750	43dB – 54dB	A+	Yes	MCFB63	MCFB64	Electric 500 / Gas 500

DISHWASHERS

Fully Integrated Slimline 45cm		Fully Integrated 60cm						
	10 Place Settings	13 Place Settings	14 Place Settings	ProClean	B Rated	ComfortLift®		
AEG	1 	2 	3 	4 	5 	6 	7 	
		FSE72507P	FSB42607Z	FSK52917Z	FSS73717P**	FSK75757P**	FSE83837P**	FSK93847P**






Specifications





	Model	Type	Place Settings	Programmes	Energy Rating	Water Consumption (L)	Noise Level (dB)	Noise Rating	Basket Type	Connected	ProClean	Beam Type	Aperture (mm)
1	FSE72507P	45cm Fully Integrated Slimline	10	7	E	9.9	44	B	Cutlery Drawer	No	No	Light Beam	H818 x W450 x D550
2	FSB42607Z	60cm Fully Integrated	13	5	E	9.9	46	C	Cutlery Basket	No	No	N/A	H818 x W596 x D550
3	FSK52917Z	60cm Fully Integrated	14	7	E	10.5	44	B	Cutlery Drawer	No	No	Light Beam	H818 x W596 x D550
4	FSS73717P**	60cm Fully Integrated	15	7	D	11	44	B	Cutlery Drawer	No	Yes	Light Beam	H818 x W596 x D550
5	FSK75757P**	60cm Fully Integrated	14	7	B	9.9	42	B	Cutlery Drawer	No	Yes	Light Beam	H818 x W596 x D550
6	FSE83837P**	60cm Fully Integrated ComfortLift®	14	7	D	11	44	B	Cutlery Drawer	No	Yes	Light Beam	H818 x W596 x D550
7	FSK93847P**	60cm Fully Integrated ComfortLift®	14	7	D	11	39	B	Cutlery Drawer	No	Yes	Time Beam	H818 x W596 x D550

*PHASED OUT MODEL - please check stock availability with your Account Manager

**NEW MODEL - please check date of availability with your Account Manager

REFRIGERATION





Integrated Fridges										
	82cm Under Counter		122cm Midi	178cm Larder						
AEG	1		2		3		4		5	
		SFB682F1AF		SKB582F1AF		SKB812F1AC		SKE818E1DC		SKK818E9ZC







Integrated Freezers								
	82cm Under Counter		122cm Midi	178cm Larder				
AEG	6		7		8		9	
		ABE682F1NF		ABB682F1AF		ABB812E6NC		ABK818E6NC

Specifications

	Model	Type	Capacity (L)	Shelves/Drawers	Energy Rating	Noise Rating	Technology	Appliance Dimension (mm)
1	SFB682F1AF	82cm Under Counter Fridge	111	2 full shelves / 1 full salad drawer	F	C	Auto Defrost	H820 x W600 x D550
2	SKB582F1AF	82cm Under Counter Fridge	134	3 full shelves / 1 full salad drawer	F	C	Auto Defrost	H820 x W600 x D550
3	SKB812F1AC	122cm Midi Integrated Fridge	203	3 full shelves / flexi shelf	F	C	Coolmatic	H1225 x W560 x D550
4	SKE818E1DC	178cm Larder Integrated Fridge	311	4 full shelves / flexi shelf	E	B	DynamicAir	H1780 x W560 x D550
5	SKK818E9ZC	178cm Larder Integrated Fridge	276	3 full shelves / flexi shelf	E	C	LongFresh	H1780 x W560 x D550
6	ABE682F1NF	82cm Under Counter Freezer	85	3 full drawers	F	D	NoFrost	H820 x W600 x D550
7	ABB682F1AF	82cm Under Counter Freezer	95	3 full drawers	F	C	N/A	H820 x W600 x D550
8	ABB812E6NC	122cm Midi Integrated Freezer	122	4 full drawers	E	C	NoFrost	H1225 x W556 x D550
9	ABK818E6NC	178cm Larder Integrated Freezer	204	4 full drawers	E	C	NoFrost	H1780 x W560 x D550

REFRIGERATION




50:50 Integrated Fridge Freezer			70:30 Integrated Fridge Freezer			
	178cm Low Frost	178cm TwinTech® NoFrost		144cm Low Frost	178cm Low Frost	
AEG	1		2		3	
		SCB718F3LS		SCE818E6NS		SCE818F6NS
					4	
						SCB614F1LS
						5
						SCB618F3LS

70:30 Integrated Fridge Freezer						
	178cm TwinTech® NoFrost		178cm CustomFlex®	178cm CustomFlex®	ExtraTall CustomFlex®	
AEG	6		7		8	
		SCE818F6TS		SCE818E8TS		SCE818E6TC
					9	
						SCE818E5TC
					10	
						SCE818C5TC
					11	
						SCE819E7TS

Specifications

	Model	Type	Capacity (L)	Shelves/Drawers	Energy Rating	Noise Rating	Technology	Appliance Dimension (mm)
1	SCB718F3LS	50:50 Integrated Fridge Freezer	Fridge - 161 Freezer - 106	Fridge - 3 full shelves + 1 flexi shelf Freezer - 4 full drawers	F	C	Low Frost	H1780 x W560 x D550
2	SCE818E6NS	50:50 Integrated Fridge Freezer	Fridge - 153 Freezer - 87	Fridge - 2 full shelves + 1 flexi shelf Freezer - 4 full drawers	E	C	TwinTech® NoFrost	H1780 x W560 x D550
3	SCE818F6NS	50:50 Integrated Fridge Freezer	Fridge - 153 Freezer - 87	Fridge - 2 full shelves + 1 flexi shelf Freezer - 4 full drawers	F	C	TwinTech® NoFrost	H1780 x W560 x D550
4	SCB614F1LS	70:30 Integrated Fridge Freezer	Fridge - 160 Freezer - 57	Fridge - 3 full shelves + 1 flexi shelf Freezer - 2 full drawers	F	B	Low Frost	H1446 x W560 x D550
5	SCB618F3LS	70:30 Integrated Fridge Freezer	Fridge - 196 Freezer - 72	Fridge - 4 full shelves + 1 flexi shelf Freezer - 3 full drawers	F	B	Low Frost	H1780 x W560 x D550
6	SCE818F6TS	70:30 Integrated Fridge Freezer	Fridge - 193 Freezer - 61	Fridge - 3 full shelves + 1 flexi shelf Freezer - 3 full drawers	F	C	TwinTech® NoFrost	H1780 x W560 x D550
7	SCE818E8TS	70:30 Integrated Fridge Freezer	Fridge - 193 Freezer - 61	Fridge - 3 full shelves + 1 flexi shelf Freezer - 3 full drawers	E	B	TwinTech® NoFrost	H1772 x W540 x D549
8	SCE818E6TC	70:30 Integrated Fridge Freezer	Fridge - 187 Freezer - 61	Fridge - 3 full shelves + 1 flexi Freezer - 3 full drawers	E	C	TwinTech® NoFrost	H1780 x W560 x D550
9	SCE818E5TC	70:30 CustomFlex® Integrated Fridge Freezer	Fridge - 187 Freezer - 61	Fridge - 3 full shelves + 1 flexi Freezer - 3 full drawers	E	C	TwinTech® NoFrost	H1769 x W556 x D549
10	SCE818C5TC	70:30 CustomFlex® Integrated Fridge Freezer	Fridge - 187 Freezer - 61	Fridge - 3 full shelves + 1 flexi shelf Freezer - 3 full drawers	C	B	TwinTech® NoFrost	H1780 x W560 x D550
11	SCE819E7TS	70:30 Extra Tall Integrated CustomFlex® Fridge Freezer	Fridge - 208 Freezer - 61	Fridge - 3 full shelves + 1 flexi shelf Freezer - 3 full drawers	E	C	TwinTech® NoFrost	H1898 x W556 x D549





REFRIGERATION

Freestanding			
	American Door	French Door	Connected French Door
AEG	1  RMB76121NX	2  RMB86321NX	3  RMB954F9VX

Specifications

	Model	Type	Capacity (L)	Shelves/Drawers	Energy Rating	Noise Rating	Plumbing Type	Technology	Appliance Dimension (mm)
1	RMB76121NX	American Door	Fridge - 370 Freezer - 179	Fridge - 3 full shelves + 2 full drawers Freezer - 3 full trays + 2 full drawers	F	D	Plumbed	TwinTech® NoFrost	H1780 x W912 x D758
2	RMB86321NX	French Door	Fridge - 417 Freezer - 119	Fridge - 2 full shelves Freezer - 2 full trays + 1 full drawer	F	D	Non-Plumbed	TwinTech® NoFrost	H1776 x W912 x D765
3	RMB954F9VX	Connected French Door	Fridge - 378 Freezer - 239	Fridge - 1 full shelf + flexi shelf, 2 half salad drawers Freezer - 2 full shelves drawers	F	D	Plumbed	TwinTech® NoFrost	H1780 x W912 x D758

WINE COOLERS

Built-In Compact		Undercounter 30cm	Undercounter 60cm	
AEG	1  KWK884520M	2 Premier Partner EXCLUSIVE  KWK884520T	3  AWUS020B5B**	4  AWUS052B5B**

Specifications






	Model	Type	Capacity	Shelves	Energy Rating	Noise Rating	Appliance Dimension (mm)
1	KWK884520M	Compact Wine Cooler	18 Bottles	2	F	C	H450 x W560 x D550
2	KWK884520T	Matt Black Compact Wine Cooler	18 Bottles	2	F	C	H450 x W560 x D550
3	AWUS020B5B**	Under Counter Wine Cooler	18 Bottles	6	G	D	H822 x W300 x D550
4	AWUS052B5B**	Under Counter Wine Cooler	46 Bottles	6	G	D	H822 x W600 x D550




MODEL CODE FINISH DESCRIPTIONS M = Stainless Steel T = Matt Black

*PHASED OUT MODEL - please check stock availability with your Account Manager

**NEW MODEL - please check date of availability with your Account Manager

LAUNDRY




Integrated Washing Machine		Freestanding Washing Machines			
	8kg	8kg	9kg		
AEG	1  L7FC8432BI	2  L7FEE845R	3  L7FEE945R	4  L8FEE965R	5  L9FEC966R

Freestanding Tumble Dryers			
	8kg	8kg with Absolute Care	
AEG	6  T6DBG821N	7  T7DEE845R	8  T8DEC846R

Specifications

	Model	Type	Programmes	Drum Size	Speed (rpm)	Technology	Water Consumption (L)	Energy Rating	Noise Rating	Appliance Dimension (mm)
1	L7FC8432BI	7000 Series Integrated Washing Machine	14	8kg	1400	ProSteam®	54	D	B	H820 x W596 x D555
2	L7FEE845R	7000 Series Freestanding Washing Machine	10	8kg	1400	ProSteam®	54	C	B	H850 x W600 x D660
3	L7FEE945R	7000 Series Freestanding Washing Machine	12	9kg	1400	ProSteam®	46	A	B	H847 x W597 x D631
4	L8FEE965R	8000 Series Freestanding Washing Machine	12	9kg	1600	ProSteam®	46	A	B	H847 x W597 x D631
5	L9FEC966R	9000 Series Freestanding Washing Machine	11	9kg	1600	SoftWater	49	A	B	H847 x W597 x D631
6	T6DBG821N	6000 Series Freestanding Tumble Dryer	10	8kg	N/A	ProSense®	N/A	A+	N/A	H850 x W600 x D665
7	T7DEE845R	7000 Series Freestanding Tumble Dryer	10	8kg	N/A	SensiDry®	N/A	A++	N/A	H850 x W600 x D665
8	T8DEC846R	8000 Series Freestanding Tumble Dryer	10	8kg	N/A	AbsoluteCare®	N/A	A++	N/A	H850 x W600 x D665

LAUNDRY

Integrated Washer Dryer		Freestanding Washer Dryers	
	7/4kg	7/5kg	9/6kg
AEG	1  L7WC8632BI	2  L7WBG751R	3  L7WEE965R

Specifications

	Model	Type	Progs	Drum Size (Wash / Dry)	Speed (rpm)	Technology	Water Consumption (L)	Energy Rating (Wash / Dry)	Noise Rating	Appliance Dimension (mm)
1	L7WC8632BI	7000 Series Integrated Washer Dryer	14	7kg / 4kg	1600	DualSense®	56	D / E	B	H820 x W596 x D555
2	L7WBG751R	7000 Series Freestanding Washer Dryer	10	7kg / 5kg	1400	DualSense®	56	C / E	B	H850 x W600 x D659
3	L7WEE965R	7000 Series Freestanding Washer Dryer	9	9kg / 6kg	1600	DualSense®	56	C / E	B	H850 x W600 x D660

INSTALLATION DIAGRAMS

AEG has always been committed to supporting its retail partners and professional installers by providing them with best in class installation solutions. AEG kitchens are simple to install and use only one Torx T20 screwdriver to install all of our appliances, allowing installers to save time. In 2018, AEG launched a first of its kind Installer App, giving professional installers access to installation information at their fingertips.

IN THIS SECTION

Refrigeration

- Integrated Fridge Freezers
- Integrated Fridges and Freezers
- Freestanding Fridge Freezers
- Wine Cooling

Cooking

- Single Ovens
- Double Ovens
- Compact Ovens
- Bean to Cup Coffee Machine
- Warming Drawers
- Vac Sealers
- Microwave Ovens
- Hobs
- Hoods

Dishwashers

- Fully Integrated
- Slimline Fully Integrated

Laundry

- Built-in Washing Machine
- Built-in Washer Dryer



Only **one** Torx T20 screwdriver to install **all** appliances



Not having to change tools **saves time**



Electrolux is the first manufacturer to design an **installation app*** specifically for professional installers



ONE TORX T20
SCREWDRIVER
TO INSTALL ALL
APPLIANCES

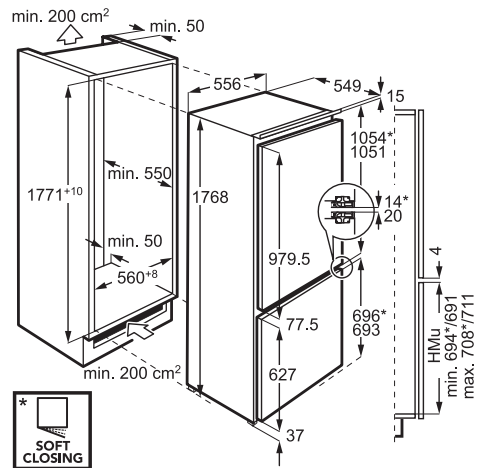


*The app is available for download
on Apple and Android mobile phones.

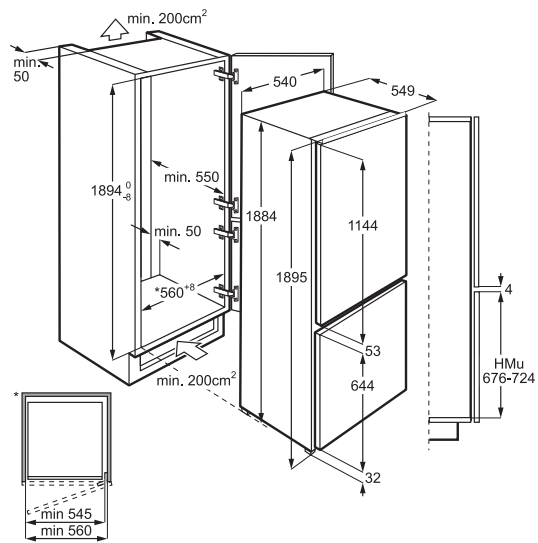
INSTALLATION DIAGRAMS – REFRIGERATION

INTEGRATED FRIDGE FREEZERS

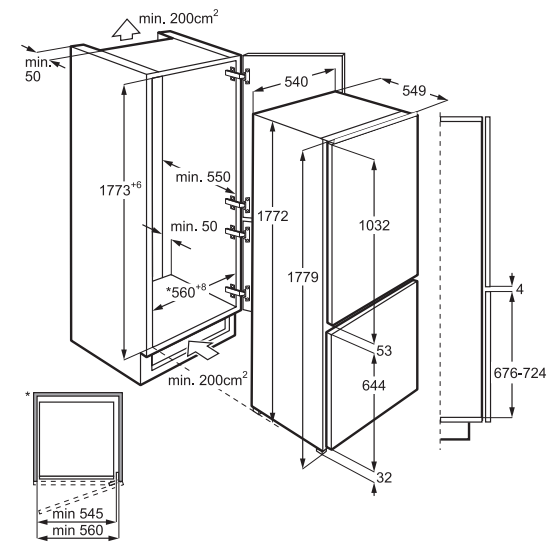
SCE818C5TC, SCE818E6TC



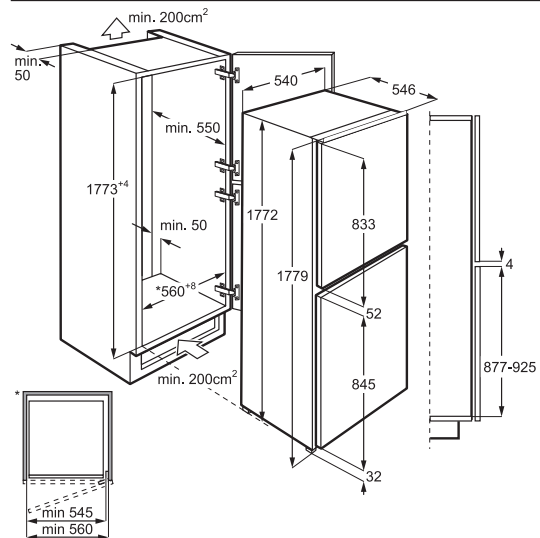
SCE819E7TS



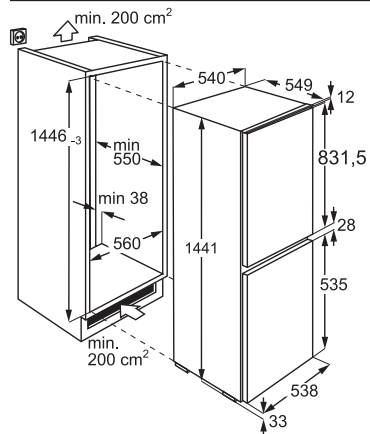
SCE818E6TS, SCB618F3LS



SCE818E6NS, SCE818F6NS, SCB718F3LS

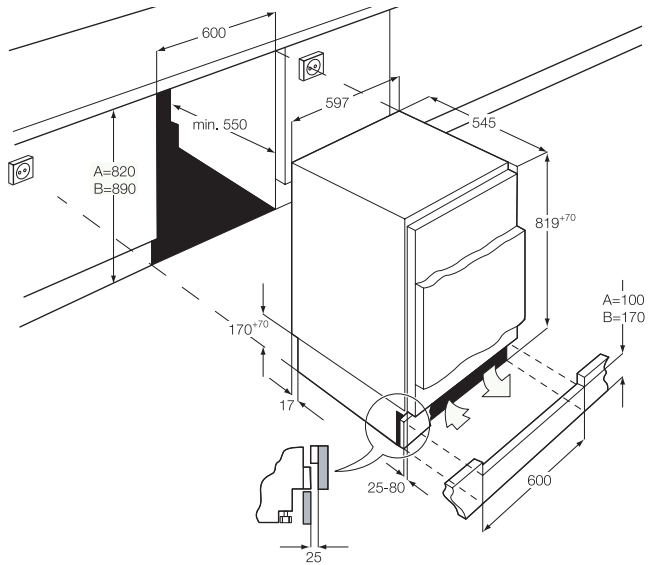


SCB614F1LS



INTEGRATED FRIDGES/FREEZERS

ABE682F1NF, ABB682F1AF, SKB582F1AF, SFB682F1AF



SKK818E9ZC

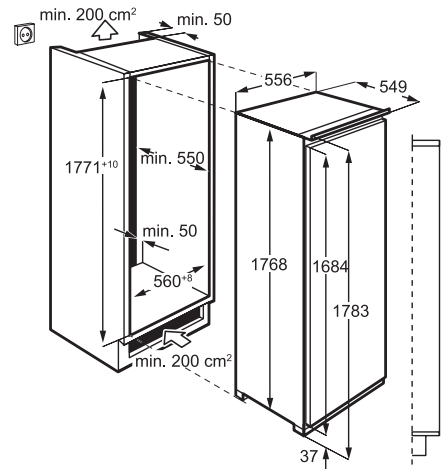
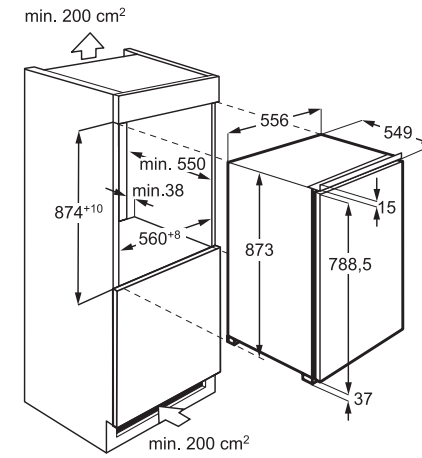
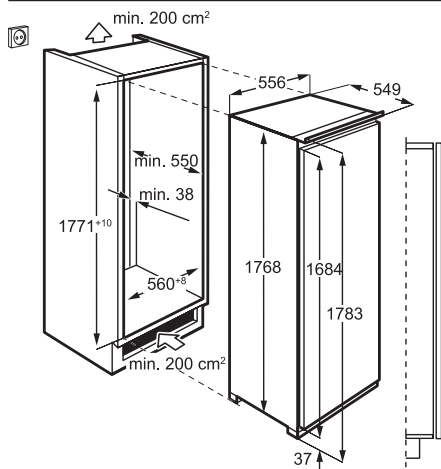


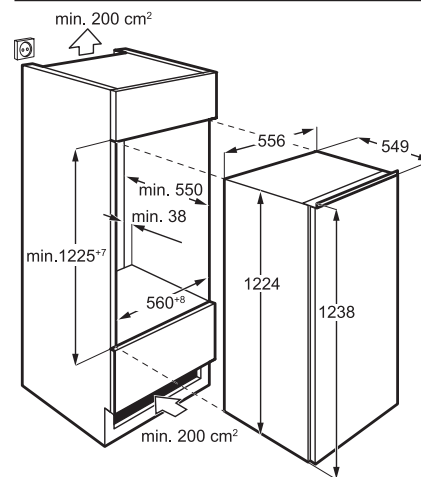
ABB812E6NC



ABK818E6NC, SKE818E1DC



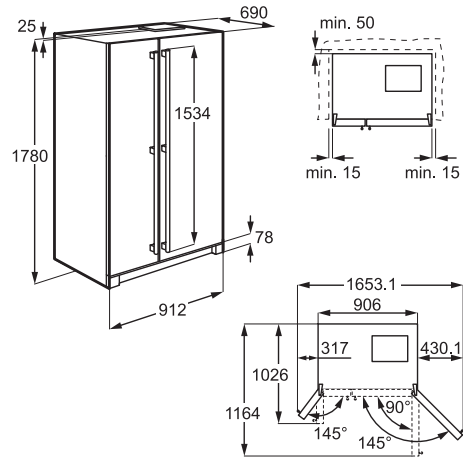
SKB812F1AC



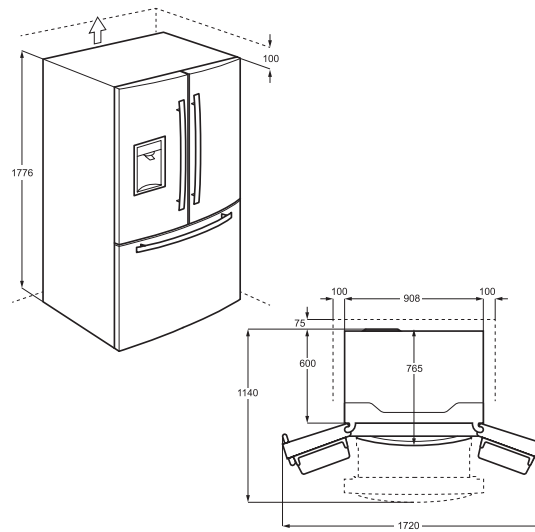
INSTALLATION DIAGRAMS – REFRIGERATION

FREESTANDING FRIDGE FREEZERS

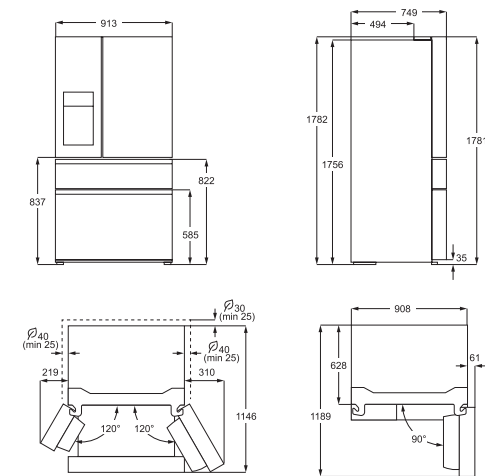
RM76121NX



RMB86321NX

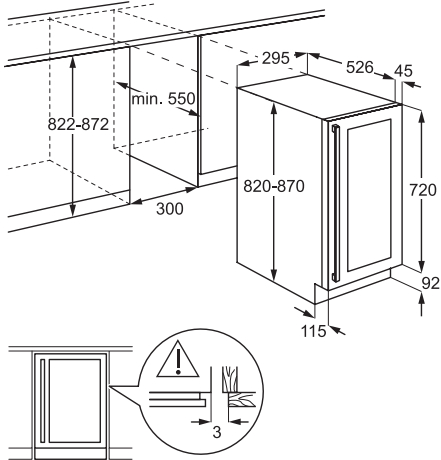


RMB954F9VX

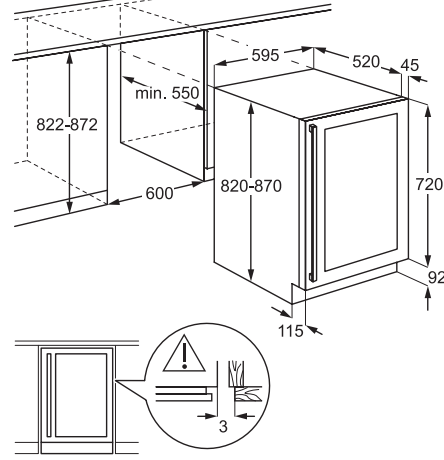


WINE COOLING

AWUS020B5B

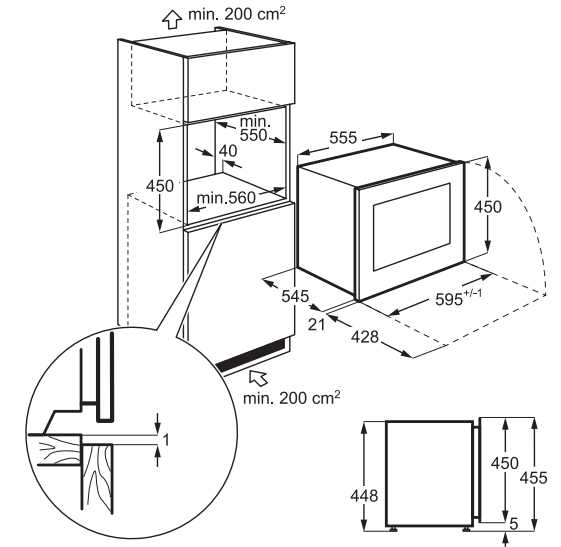


AWUS052B5B



COMPACT WINE COOLER

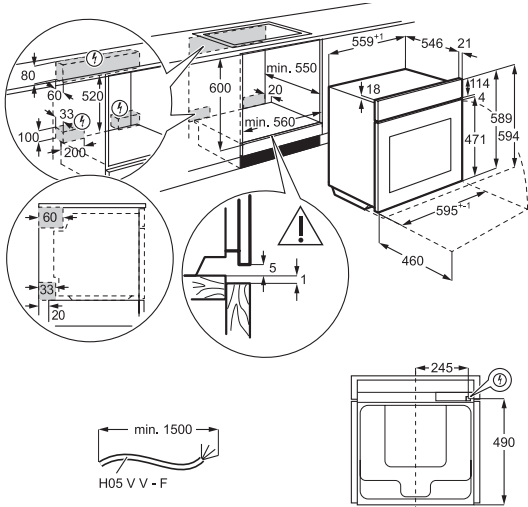
KWK884520M, KWK884520T



INSTALLATION DIAGRAMS – COOKING

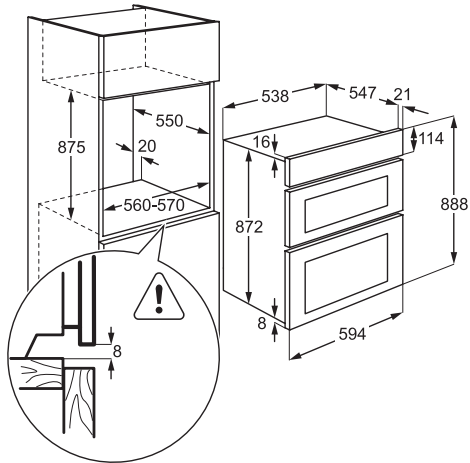
SINGLE OVENS

ALL MODELS EXCLUDING BPK744L21M, BPK744R21M



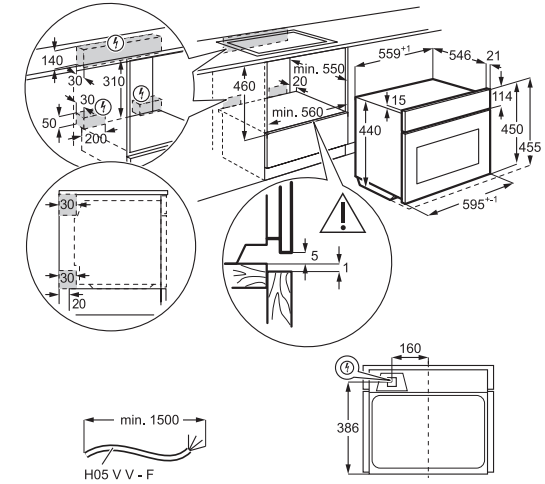
DOUBLE OVENS

DCK73110M, DCK43110M
BUILT-IN

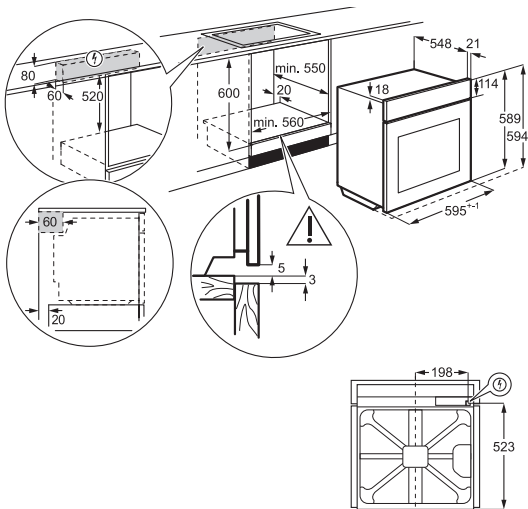


COMPACT OVENS

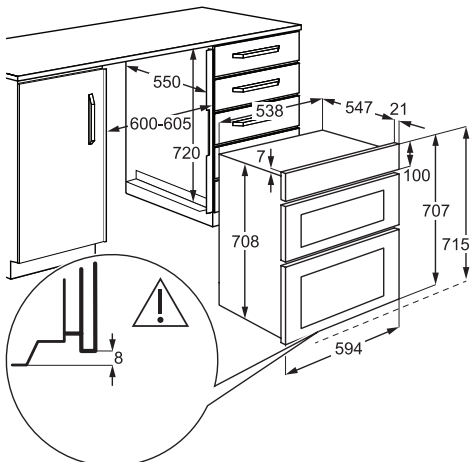
ALL MODELS
EXCLUDING COFFEE MACHINE



BPK744L21M, BPK744R21M

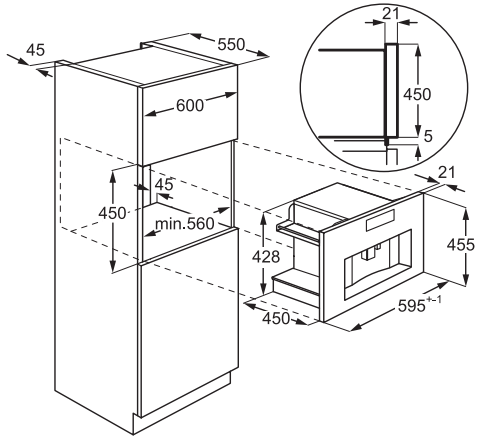


DUK73110M
BUILT UNDER



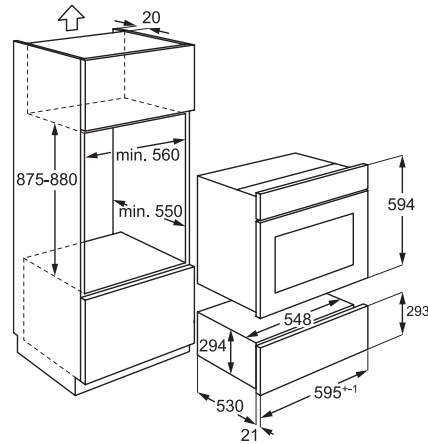
BEAN TO CUP COFFEE MACHINES

KKK994500M, KKK994500T, KKK994500M



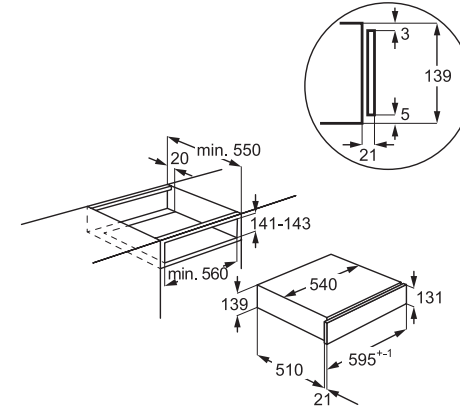
WARMING DRAWERS

KDK912924M, KDE912924M

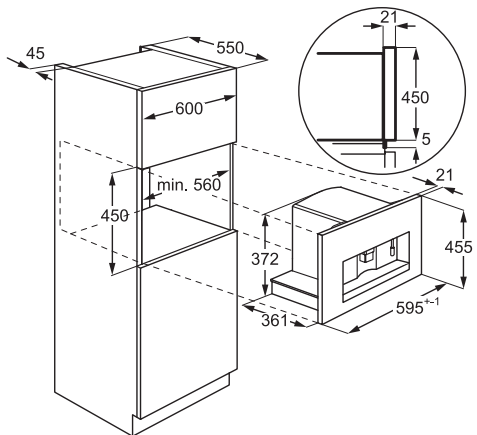


VAC SEALERS

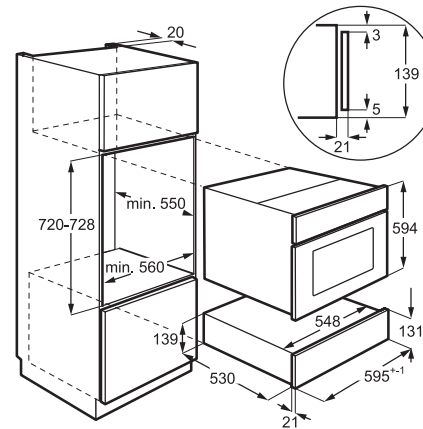
KDK911423M, KDK911424T, KDE911423B



KKK884500M



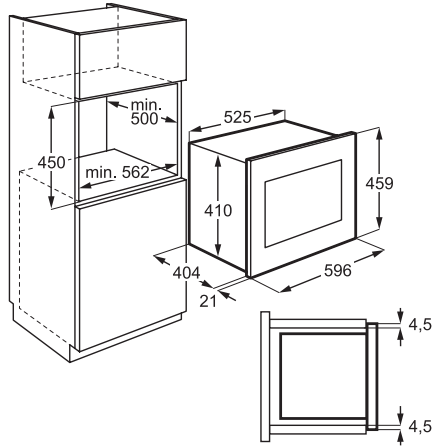
KDK911424M, KDK911424T, KDE911424M, KDE911424B



INSTALLATION DIAGRAMS – COOKING

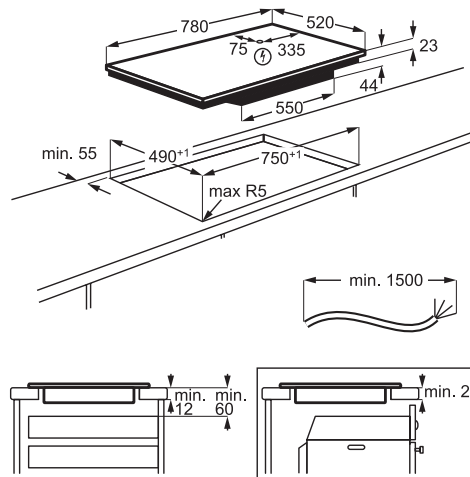
MICROWAVE OVENS

MBE2658SEM

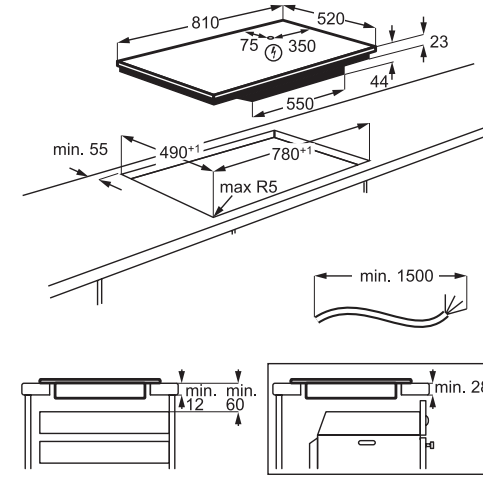


INDUCTION HOBS

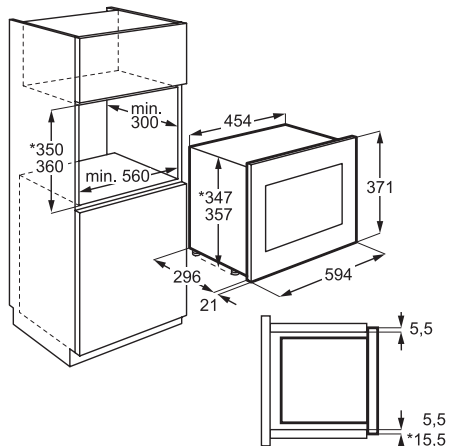
IAE844881FB, IPE84531FB, IAE84411FB, IKB84401FB



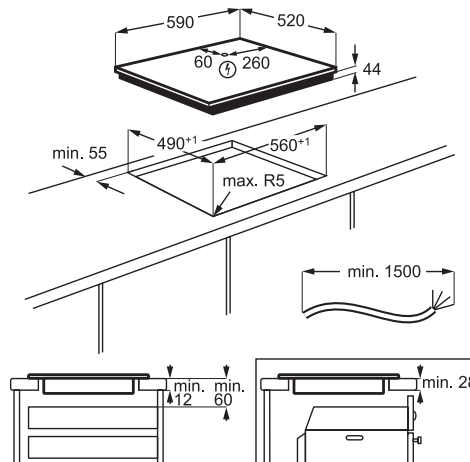
IKE85651FB



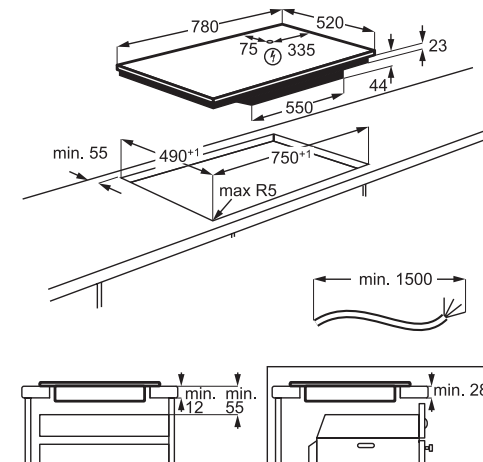
MBB1756SEM, MBB1755SEM



IPE64551FB, IKE64450FB, IAE64421FB, IAE64411FB, IKB64401FB, ILB64334CB



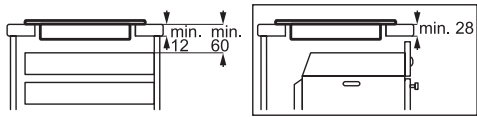
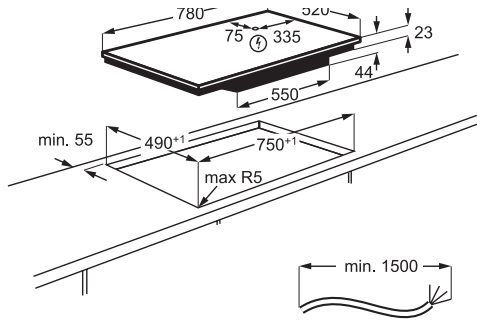
IKE85759FB



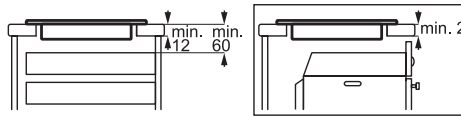
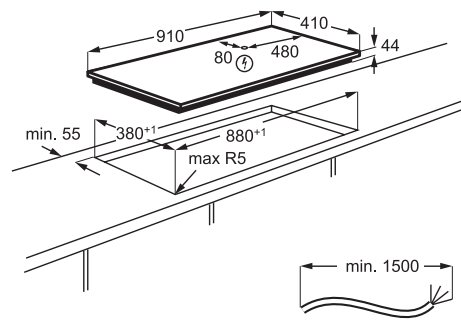
*For perfect horizontal alignment please check the individual product dimensions.

INDUCTION HOBS

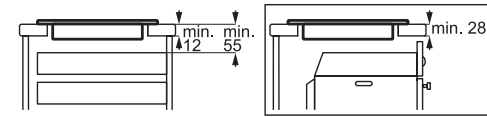
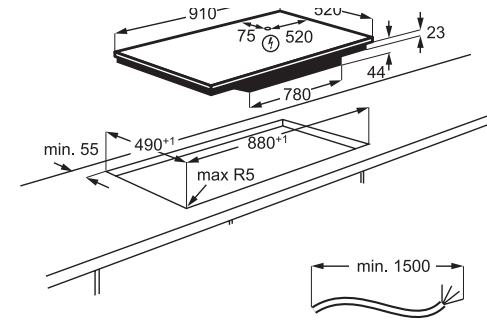
IAE84851FB



IKK93431FB

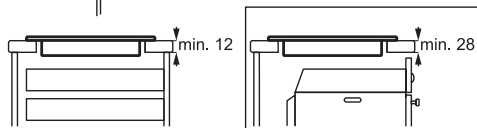
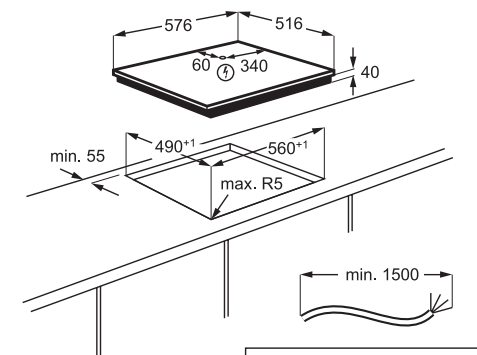


IKE95759FB



CERAMIC HOB

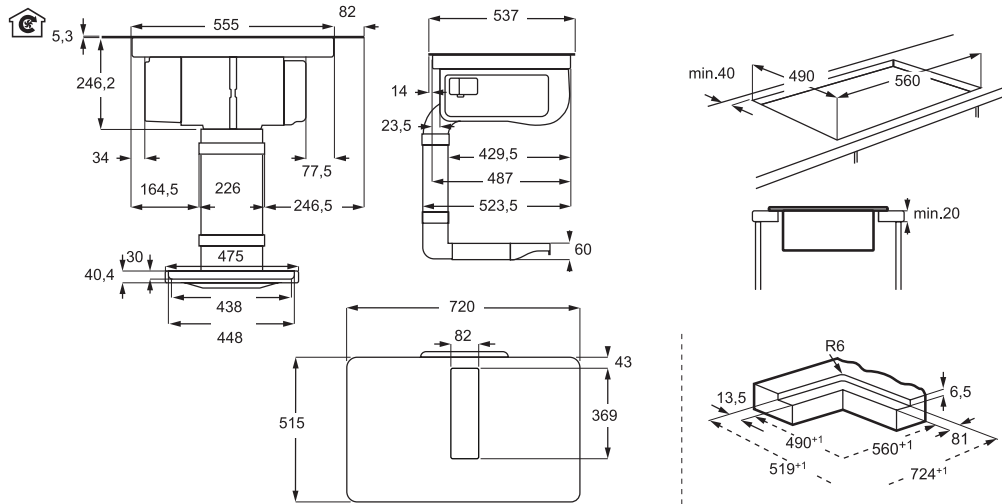
HK634060XB



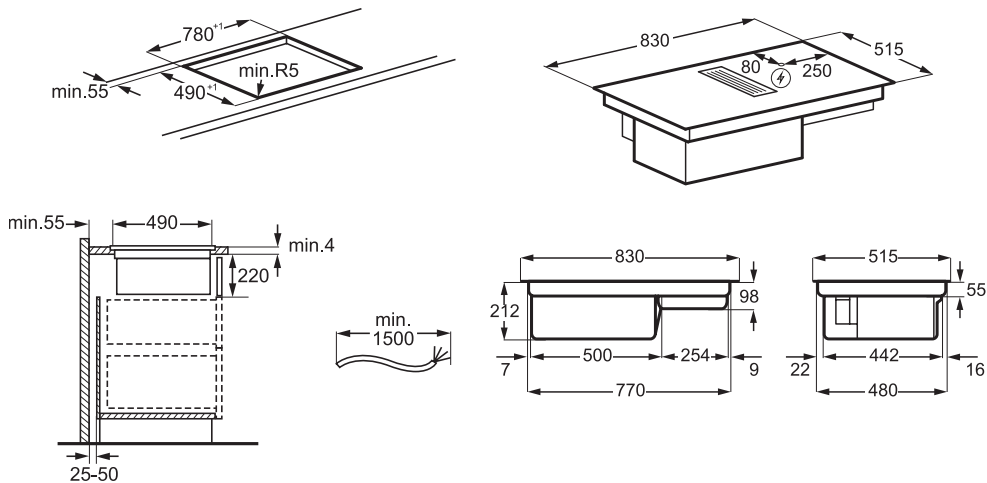
INSTALLATION DIAGRAMS – COOKING

EXTRACTOR HOBS

IDE74243IB

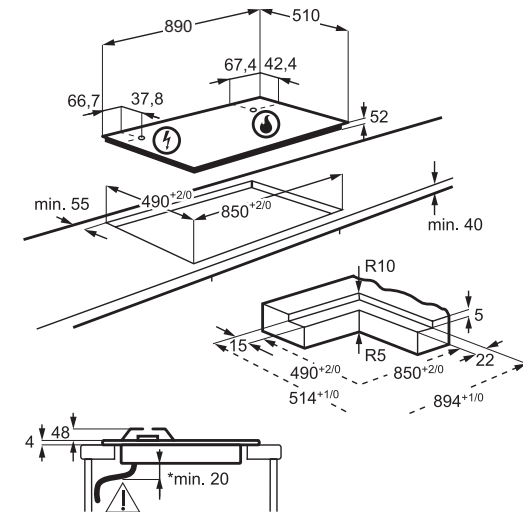


CCE84779FB, CCE84751FB, CDE84779FB, CDE84751FB

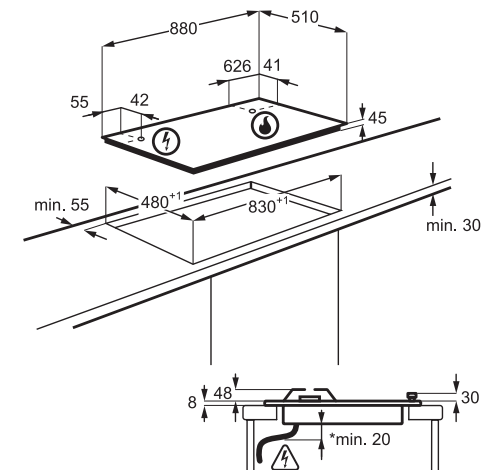


GAS HOBS

HVB95450IB

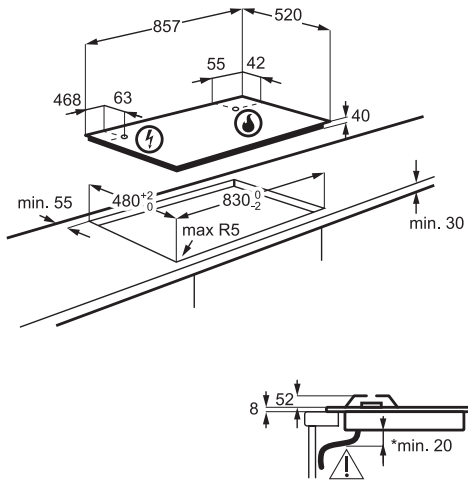


HKB95450NB

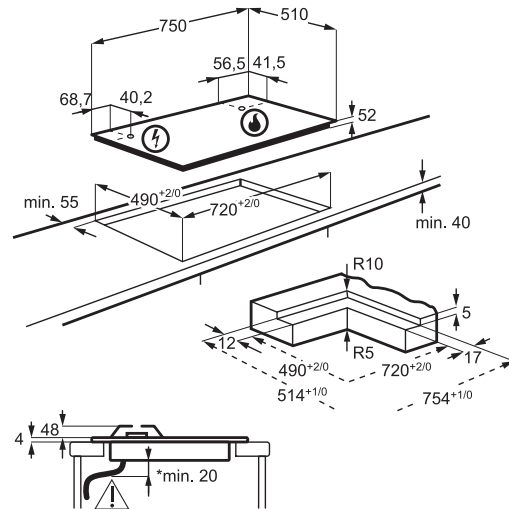


GAS HOBS

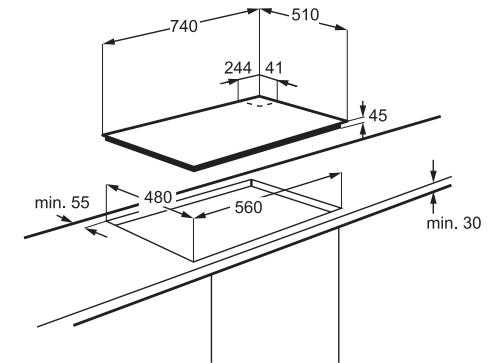
HGB95522YM



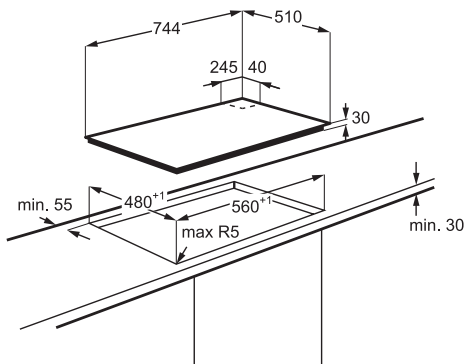
HVB75450IB



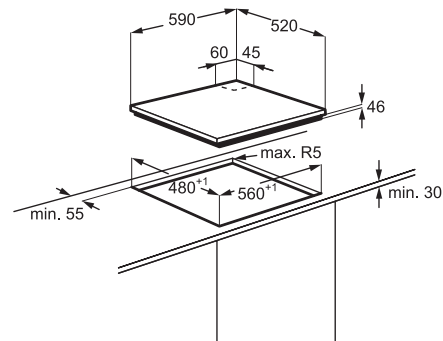
HKB75450NB



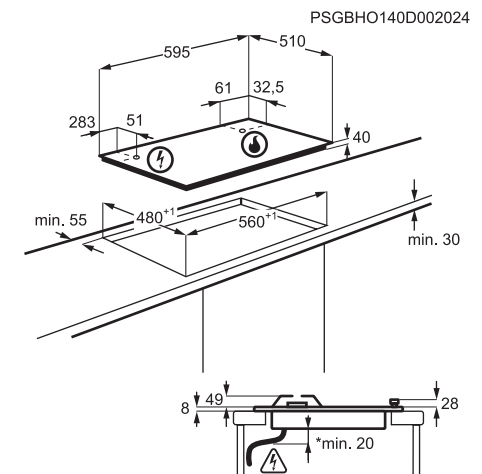
HGB75420YM



HKB64450NB



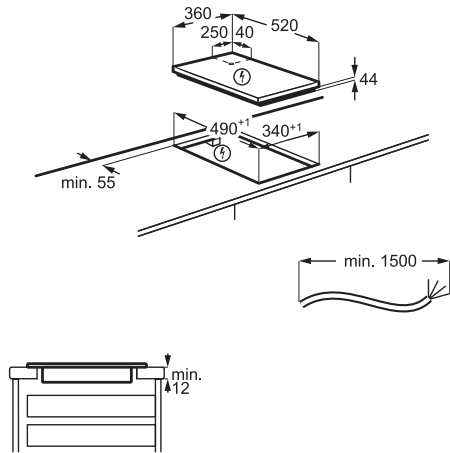
HGB64420YM



INSTALLATION DIAGRAMS – COOKING

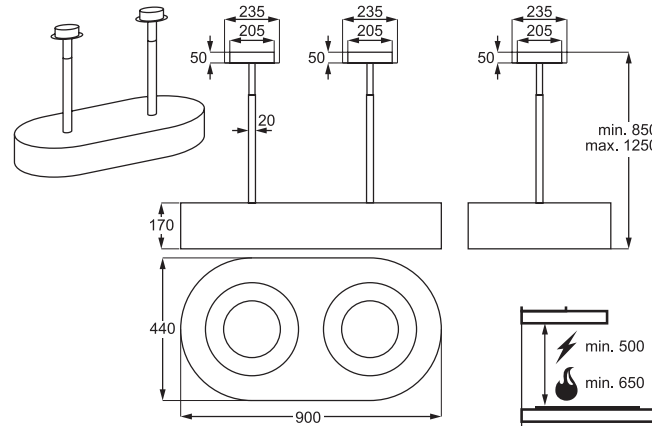
MODULAR HOBS

IKE42640KB

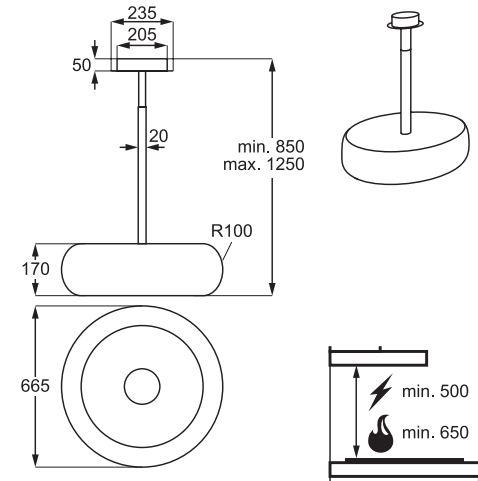


DESIGNER HOODS

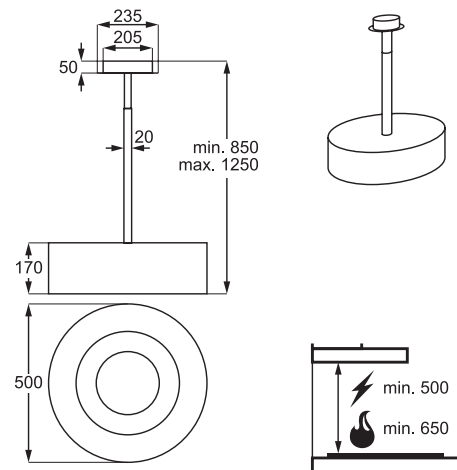
DLE0970M



DLE0630B/W

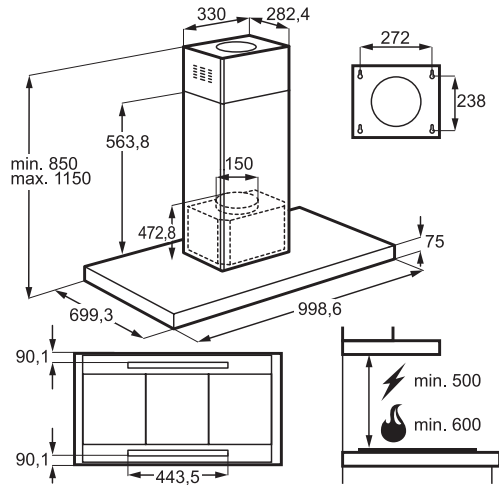


DLE0431W/B/M

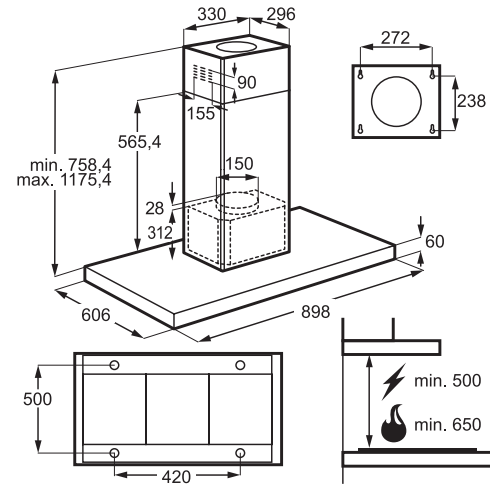


HOODS

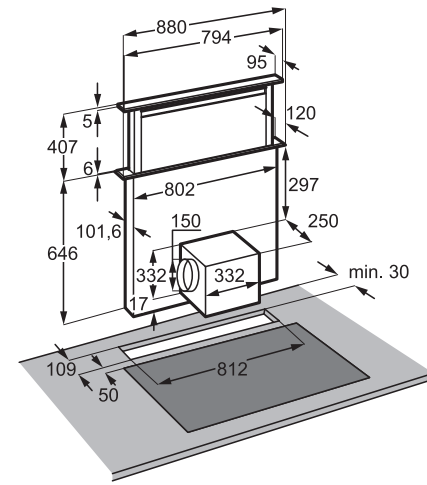
DIK6180HG



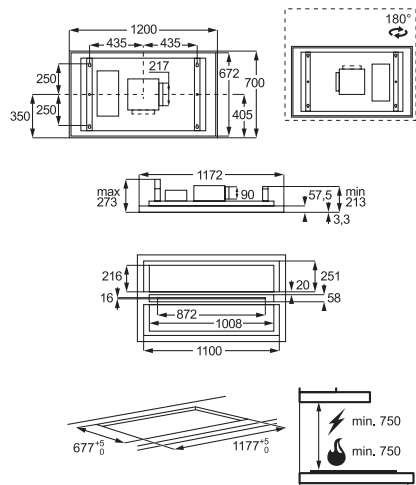
DIE5961HG



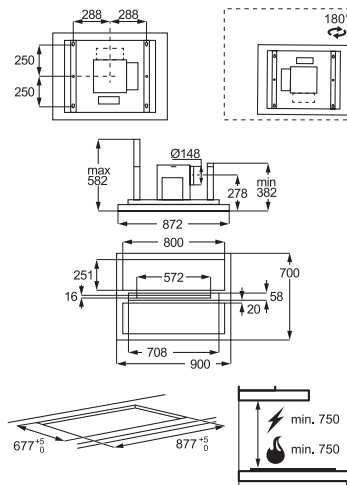
DDE5980G



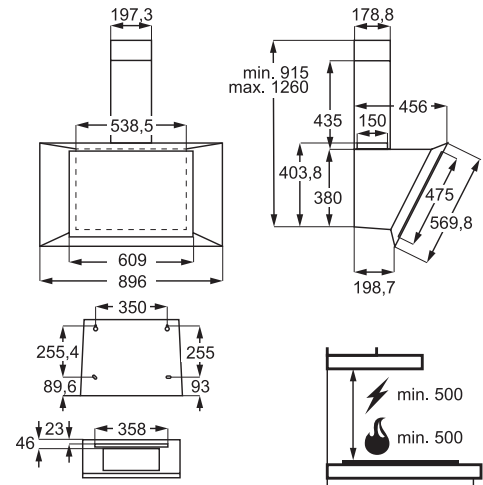
DCK5281HG



DCE5960HM



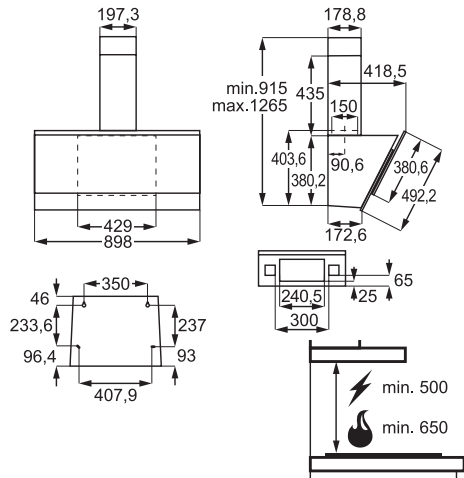
DVK6981HR



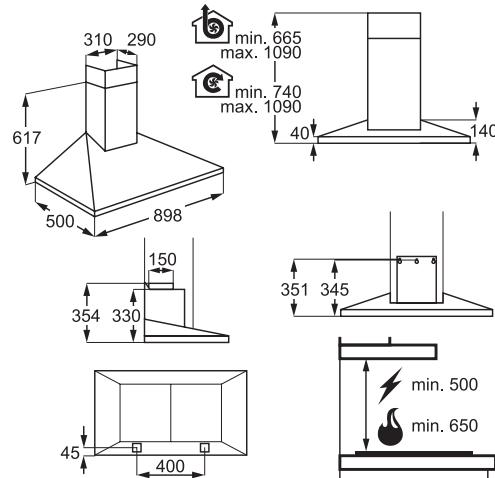
INSTALLATION DIAGRAMS – COOKING

HOODS

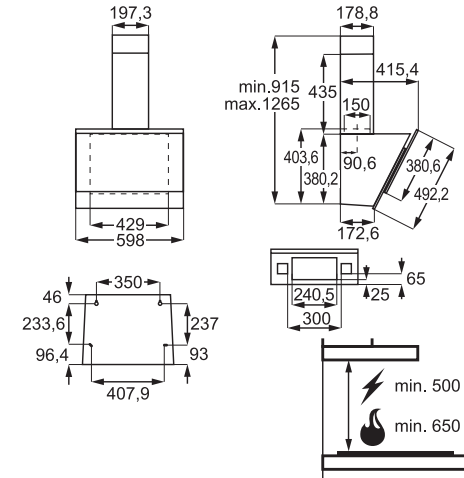
DVE5971HG



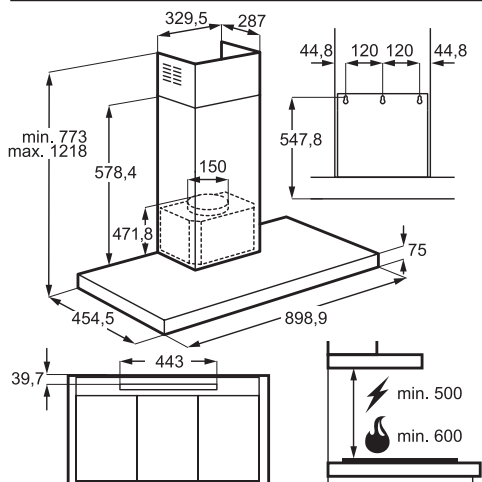
DKB4950M, DKB4650M



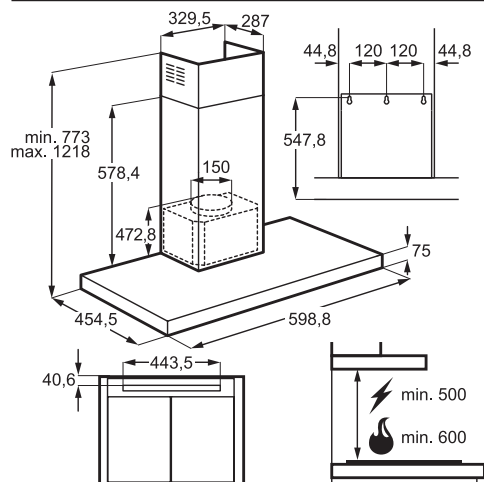
DVE5671HG



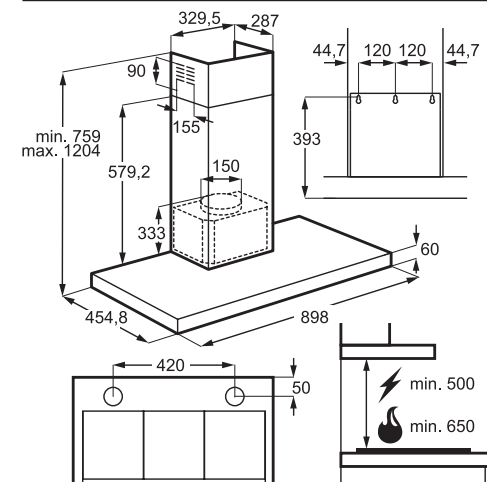
DBK6980HG



DBK6680HG

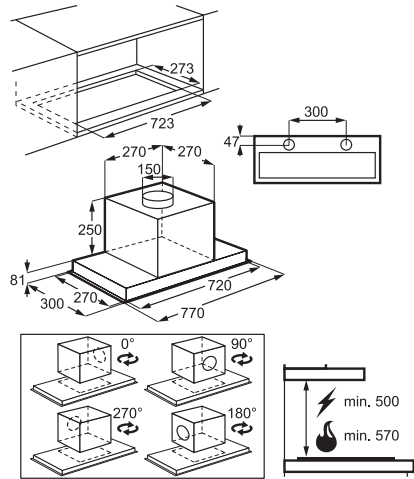


DBE5961HG/DBE5761HG/DBE5661HG

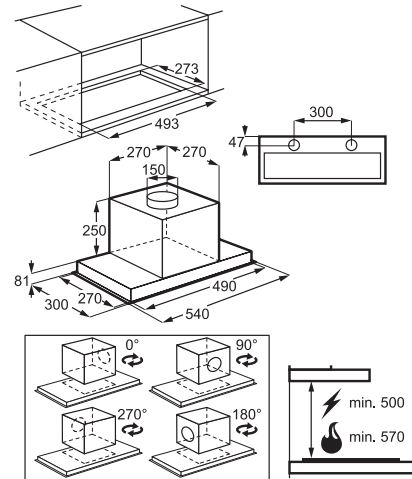


HOODS

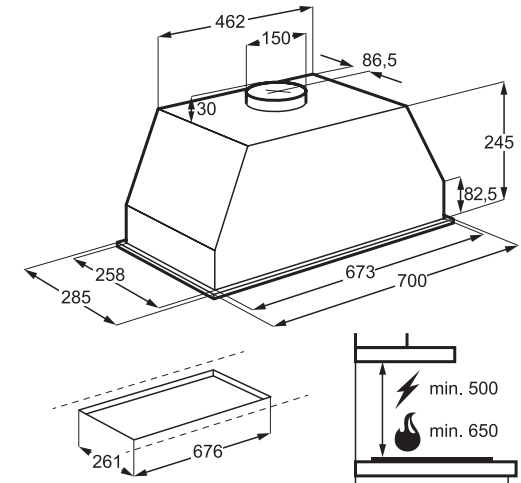
DGE5861HM



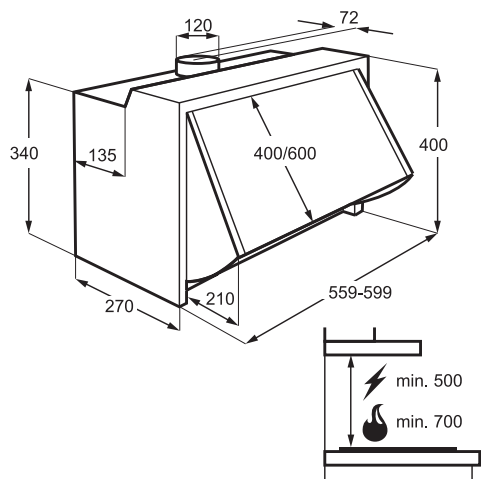
DGE5661HM



DGB3850M



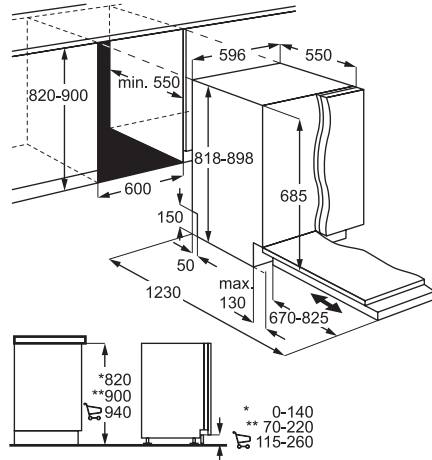
DEB2631S



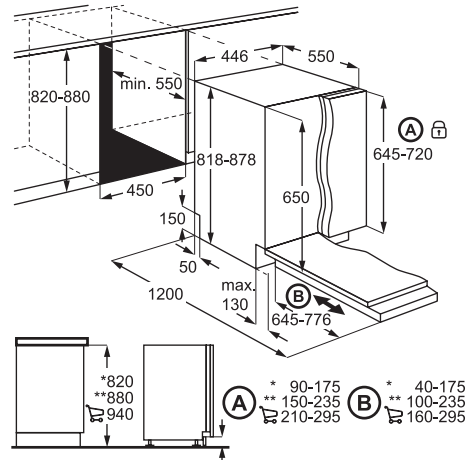
INSTALLATION DIAGRAMS – DISHWASHERS / LAUNDRY

DISHWASHERS

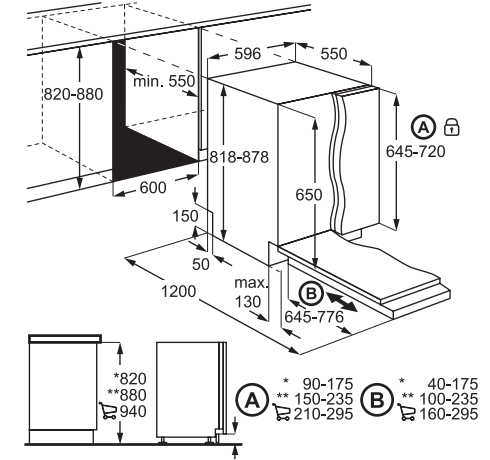
FSS73717P, FSK75757P, FSK93847P, FSE83837P
FULLY INTEGRATED



FSE72507P
SLIMLINE INTEGRATED

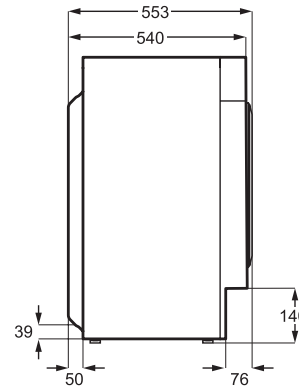
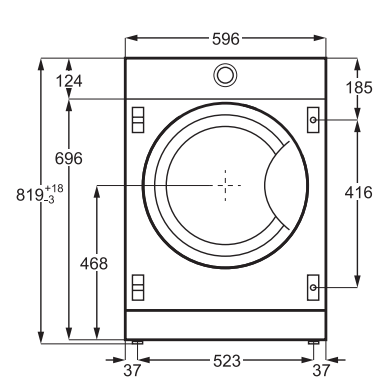
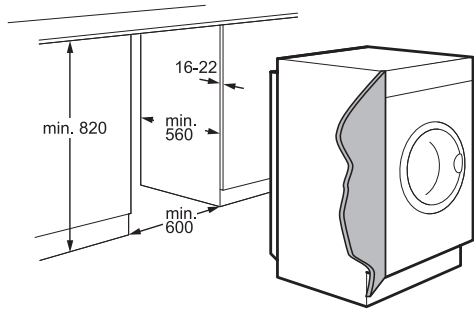


FSK52917Z, FSB42607Z
FULLY INTEGRATED



LAUNDRY

L7WC8632BI





INSTALLER APP

QUICK & EASY INSTALLATION

EASY

Only **ONE** Torx T20 screwdriver to install ALL appliances.

QUICK

Not having to change tools saves time.

FIRST TO MARKET

The first manufacturer to design an installation app specifically for professional installers.

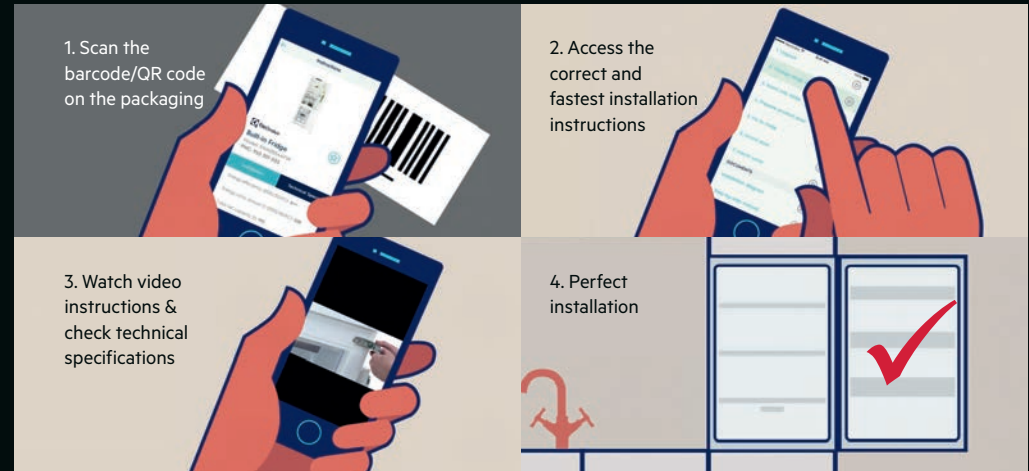
SCAN

Scan or search the product to access all the technical specifications and installation videos.

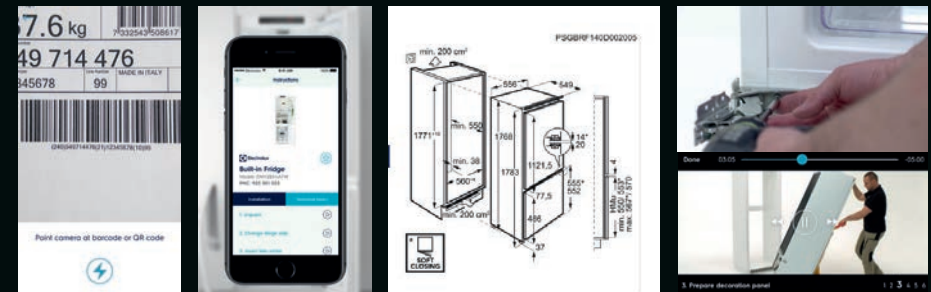


INTUITIVE INSTALLER APP MADE BY PROFESSIONALS FOR PROFESSIONALS.

Discover the correct and fastest way of installing AEG, Electrolux and Zanussi appliances. An app exclusively for professional appliance installers.



Actual Screen shots



Download from the **App Store** or **Google Play**.
On App Store search 'Electrolux Installer App'



AEG

Premier Partner

AEG has been creating pioneering appliances for the home for over 130 years. While others are catching up, we're moving further on, always an idea ahead. So if you want to know about true state-of-the-art technology, take a look inside.

To find out more visit aeg.co.uk